

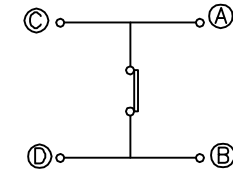
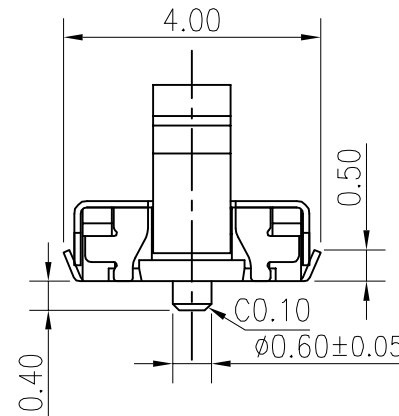
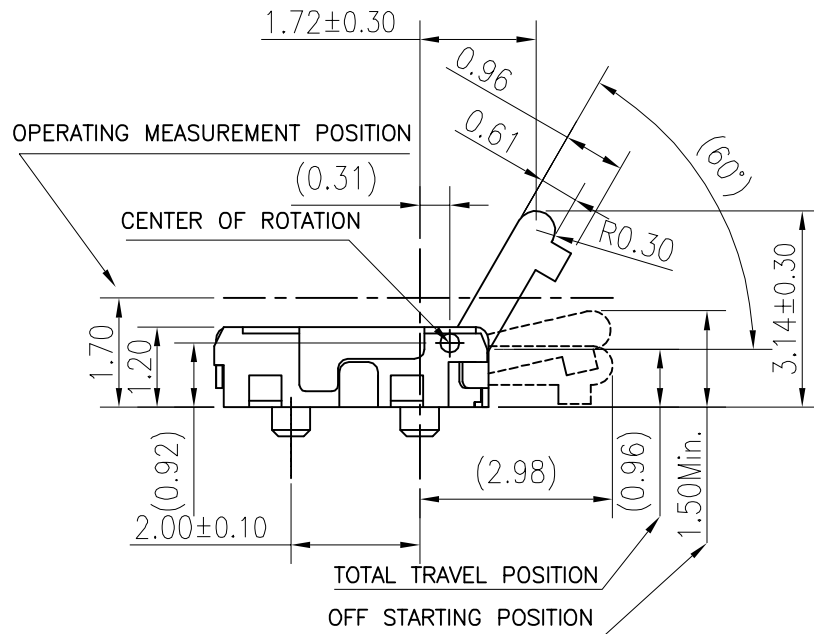
P.C.B LAYOUT

NOTES:

1. ALL DIMENSIONS ARE IN MILLIMETERS.
2. GENERAL TOLERANCES  $\pm 0.2\text{mm}$ .

SPECIFICATIONS:

1. RATING:  $100\mu\text{A}$  3V DC to 1mA 5V DC
2. LIFE: 50,000 CYCLES.
3. OPERATING FORCE: 35gf MAX.
4. INITIAL CONTACT RESISTANCE:  $3\Omega$  Max.
5. DIELECTRIC STRENGTH: AC 100V 1 MINUTE.
6. INSULATION RESISTANCE:  $100\text{M}\Omega$  Min.
7. OPERATING TEMPERATURE:  $-40^\circ\text{C}$  to  $+85^\circ\text{C}$ .



CIRCUIT DIAGRAM

RoHS Compliant

TOLERANCES ARE

**MORETHANALL**  
PCB CONNECTORS  
Cable ASSEMBLIES

DRAWING BY CY

X.±

CHECKED BY GENIUS

.X±

UNIT / mm

SCALE 1:1

.XX±

DATE

.XXX±

ANG±

煜倫股份有限公司

www.morethanall.com

SIZE A4

PJECTION

照片框

ORDER INFORMATION

DTSW-W12P-04-LF

SERIES LEADFREE  
 04 WAY  
 POST  
HIGH 1.2mm  
90° SMT

DESCRIPTION: Detector Switch