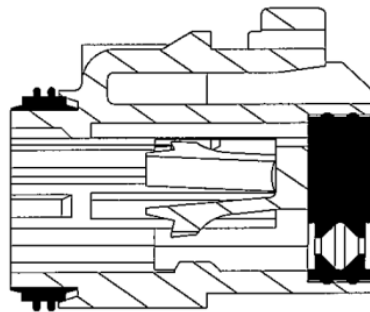


NOTE:  
1. COLOR: BLACK  
MATERIAL: NYLON



SECTION A-A

**RoHS Compliant**

TOLERANCES ARE

**MORETHANALL**  
PCB CONNECTORS  
Cable ASSEMBLIES

DRAWING BY CY

CHECKED BY GENIUS

UNIT / mm

SCALE 1:1

DATE

SIZE A4

PJECTION

X. ±  
.X ±  
.XX ±  
.XXX ±  
ANG ±

照片框

**ORDER INFORMATION**

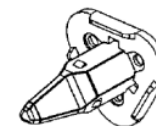
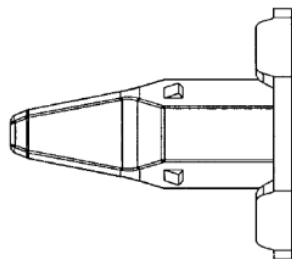
**DT16-SHBK-03-LF**

SERIES | | | LEADFREE  
| | | 03 WAY  
| | | BLACK  
| | | HOUSING  
| | | FEMALE

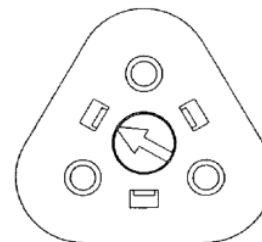
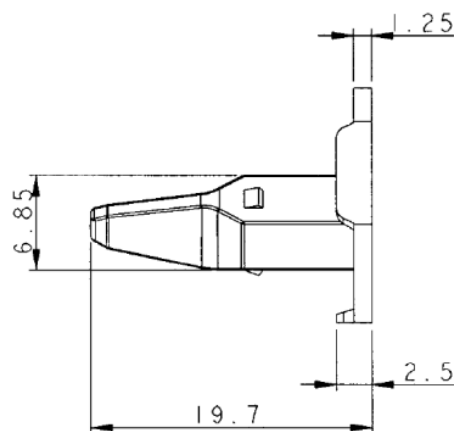
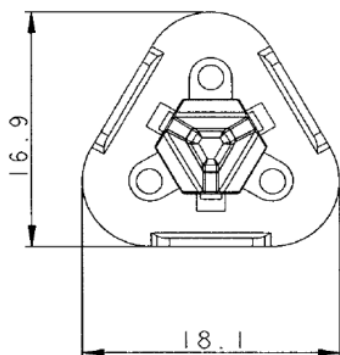
**煜倫股份有限公司**

[www.morethanall.com](http://www.morethanall.com)

DESCRIPTION: 1.5MM 3 POS. FEMALE HOUSING



SCALE 1:1



NOTE:  
1. COLOR: GREEN  
MATERIAL: NYLON

RoHS Compliant

TOLERANCES ARE

**MORETHANALL**  
PCB CONNECTORS  
Cable ASSEMBLIES

煜倫股份有限公司

www.morethanall.com

DRAWING BY CY

CHECKED BY GENIUS

UNIT / mm

SCALE 1:1

DATE

SIZE A4

P PROJECTION

X. ±  
.X ±  
.XX ±  
.XXX ±  
ANG ±

照片框

ORDER INFORMATION

DT16-SHBK-03-LF  
SERIES | | | LEADFREE  
| | | 03 WAY  
| | | BLACK  
| | | HOUSING  
| | | FEMALE

DESCRIPTION: 1.5MM 3 POS. SHRINK BOOT ADAPTER