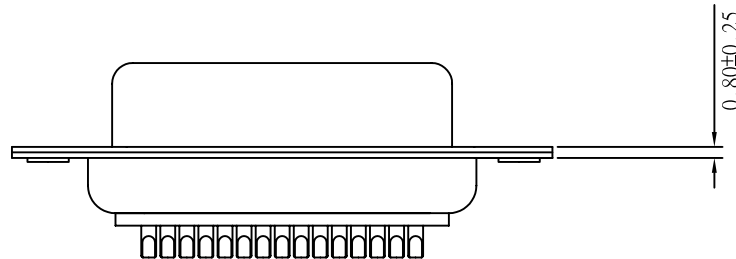
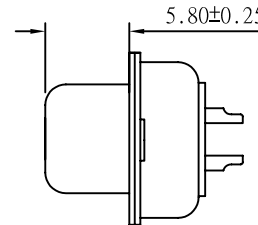
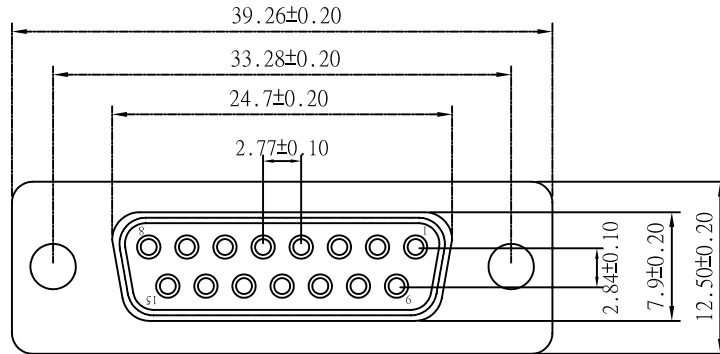


SPECIFICATION

PIN CONTACT: Brass , Gold plated over nickel
 INSULATOR: PBT & Glass-fibre reinforced UL 94 V0
 SHELL: Tin plated shell



A	180pf± 20%
B	470pf± 20%
C	820pf± 20%
D	1000pf± 20%
E	2200pf± 20%
F	5600pf± 20%

DSC-SGxxxx-15-LF
 LEADFREE
 0180:180PF
 5600:5600PF

RoHS Compliant

	PART NO. DSC-SGxxxx-15		TOLERANCES ARE X. ± .X ± 0.20 .XX ± 0.15 .XXX ± 0.05 ANG	DESCRIPTION:		
	DWG NO. DSC-SGxxxx-15					
焯倫股份有限公司	FILE NO.		DRAWING BY	AREA	REVISIONS	DATE
	UNIT / mm	SCALE 1:1	PROJECTION			