

P.C.B. LAYOUT PATTERN

SPECIFICATION

MATERIAL

Insulator: PA-6, rated UL94V-0
 Contacts: Brass
 Shell: Steel

Rivet, Boardlock: Copper alloy

CONTACT PLATING

Underplate: 50m² Nickel
 Contact area: 3m² Selective gold
 Solder tails area: 100m² Tin/Lead
 ELECTRICAL

Operation voltage: 250 VAC max.

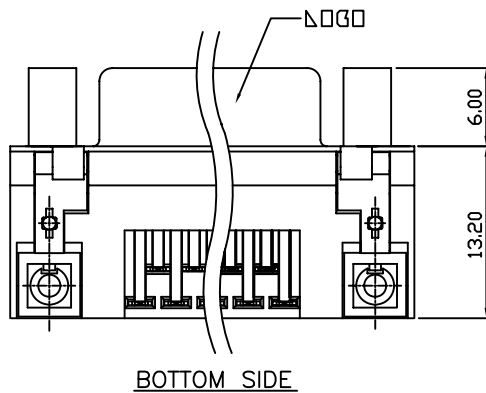
Current rating: 3 Amps

Contact resistance: 25 mohms

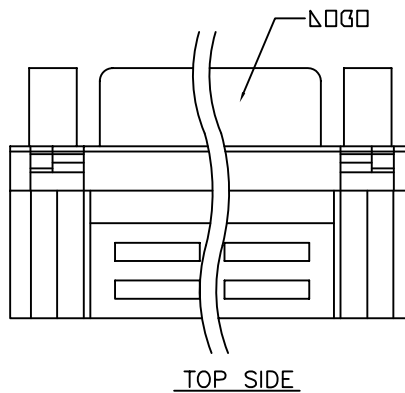
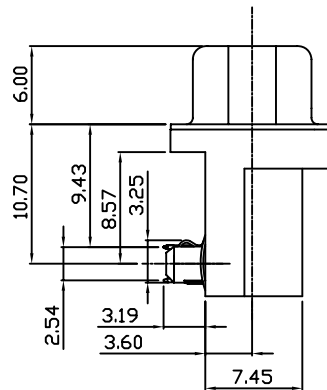
Insulation resistance: 3000 Mohms min @ 500 VDC

Dielectric withstanding voltage: 1000 VAC / minute

Operating temperature: -55°C TO +105°C



BOTTOM SIDE



TOP SIDE

POSITION	A	B	C	E	F
DRP-SJ-09	16.35	25.00	31.0	11.08	25.00
DRP-SJ-15	24.70	33.30	39.3	19.39	33.30
DRP-SJ-25	38.40	47.04	53.1	33.24	47.04
DRP-SJ-37	54.80	63.50	69.5	49.86	63.50

RoHS Compliant

TOLERANCES ARE

MORETHANALL
 PCB CONNECTORS
 Cable ASSEMBLIES

煜倫股份有限公司

www.morethanall.com

DRAWING BY CY

CHECKED BY GENIUS

UNIT / mm

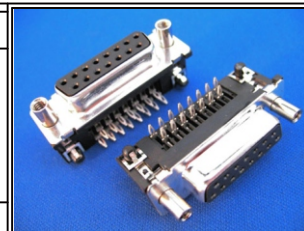
SCALE 1 : 1

DATE

SIZE A4

P PROJECTION

X, ±
 X ± 0.30
 .XX ± 0.20
 .XXX ±
 ANG ±



ORDER INFORMATION

DRP-SJ-xx-LF
 SERIES | LEADFREE
 09-37 WAY
 JACKSCREW
 FEMALE

DESCRIPTION: D-SUB 90 right angled press fit