

P.C.B. LAYOUT PATTERN
TOLERANCES: ±0.05mm

SPECIFICATION

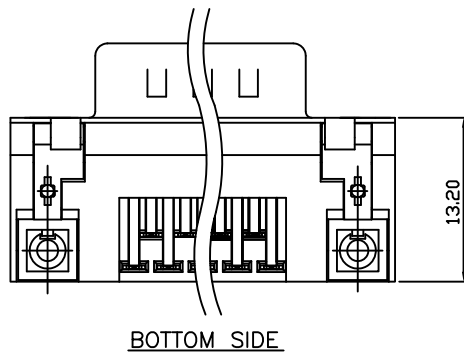
MATERIAL

Insulator: Thermal Plastic UL94V-0
 Contacts: Copper Alloy
 Shell: Steel
 Rivet, Boardlock: Copper Alloy
 CONTACT PLATING
 Underplate: 50u"~100u" Nickel
 Contact Area: 1u"~30u" Selective Gold
 Solder Tails Area: 100u"~200u" Tin/Lead(Brighten Tin) or
 100u"~200u" Tin/Lead Free(Brighten Tin/Matte Tin)

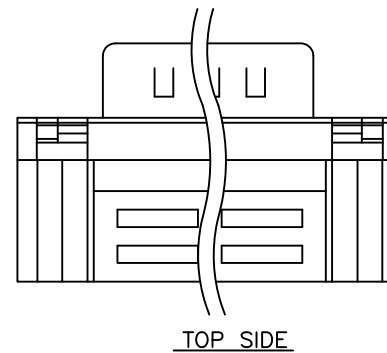
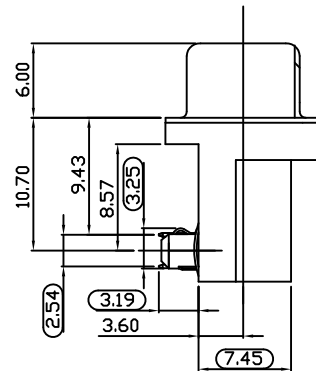
ELECTRICAL

Operation Voltage: 250 VAC max.
 Current Rating: 3 Amps
 Contact Resistance: 25 mohms
 Insulation Resistance: 3000 Mohms min @ 500 VDC
 Dielectric Withstanding Voltage: 1000 VAC / minute
 Operating Temperature: -55°C TO +105°C

POSITION	A	B	C	E	F
9	16.92	25.00	31.0	11.08	25.00
15	25.25	33.30	39.3	19.39	33.30
25	38.96	47.04	53.1	33.24	47.04
37	55.42	63.50	69.5	49.86	63.50



BOTTOM SIDE



TOP SIDE

RoHS Compliant

TOLERANCES ARE

MORETHANALL
PCB CONNECTORS
Cable ASSEMBLIES

DRAWING BY CY

CHECKED BY GENIUS

UNIT / mm

SCALE 1 : 1

DATE

SIZE A4

X, ±
 .X ±
 .XX ±
 .XXX ±
 ANG ±

P PROJECTION

照片框

ORDER INFORMATION

DRP-PN-xx-LF
 SERIES | LEADFREE
 | 09-37 WAY
 NUT
 MALE

煜倫股份有限公司

www.morethanall.com

DESCRIPTION: D-SUB 90 right angled press fit