

P.C.B. LAYOUT PATTERN

SPECIFICATION

MATERIAL

Insulator: PA-6, rated UL94V-0

Contacts: Brass

Shell: Steel

Rivet, Boardlock: Copper alloy

CONTACT PLATING

Underplate: 50m² Nickel

Contact area: 3m² Selective gold

Solder tails area: 100m² Tin/Lead

ELECTRICAL

Operation voltage: 250 VAC max.

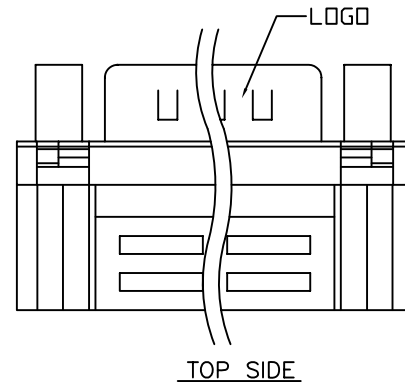
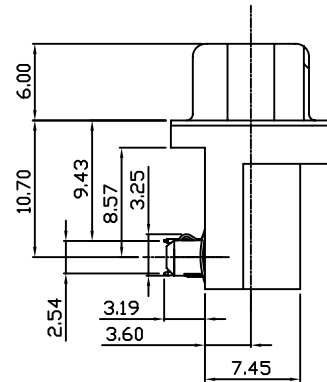
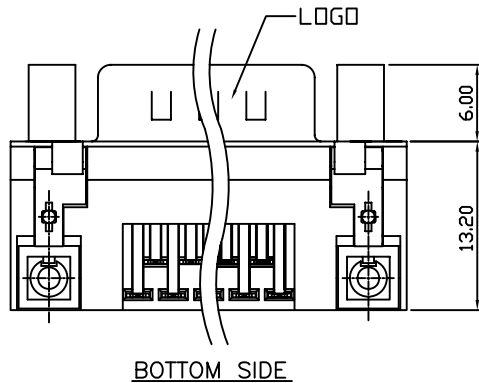
Current rating: 3 Amps

Contact resistance: 25 mohms

Insulation resistance: 3000 Mohms min @ 500 VDC

Dielectric withstanding voltage: 1000 VAC / minute

Operating temperature: -55°C TO +105°C



POSITION	A	B	C	E	F
DRP-PJ-09	16.92	25.00	31.0	11.08	25.00
DRP-PJ-15	25.25	33.30	39.3	19.39	33.30
DRP-PJ-25	38.96	47.04	53.1	33.24	47.04
DRP-PJ-37	55.42	63.50	69.5	49.86	63.50

RoHS Compliant

TOLERANCES ARE

MORETHANALL
PCB CONNECTORS
Cable ASSEMBLIES

DRAWING BY CY

CHECKED BY GENIUS

UNIT / mm SCALE 1 : 1

DATE

SIZE A4

X, ±
.X ±
.XX ±
.XXX ±
ANG ±

PJECTION

照片框

ORDER INFORMATION

DRP-PJ-xx-LF
SERIES | LEADFREE
09-37 WAY
JACKSCREW
MALE

DESCRIPTION: D-SUB 90 right angled press fit

煜倫股份有限公司

www.morethanall.com