

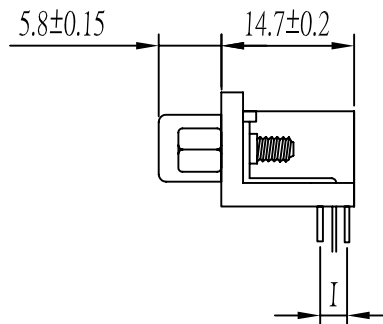
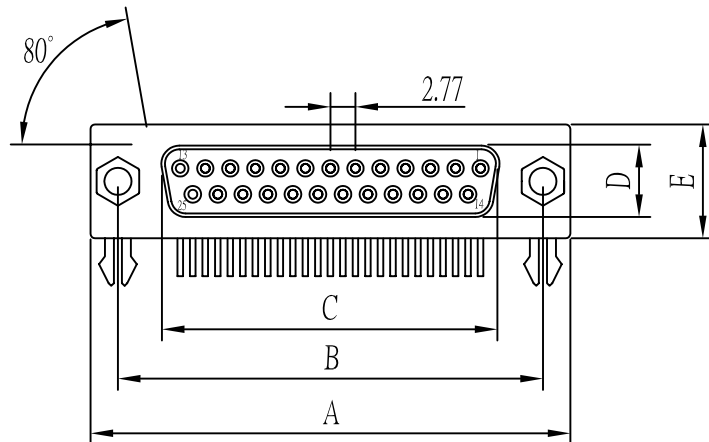
Note:

1.Material:

- 1.1 Insulator: High temperature thermoplastic with g.f,UL94v-0
- 1.2 Contact: Copper alloy,t=0.20mm
- 1.3 Shell: Spcc,t=0.30mm

2.Specification:

- 2.1 Current rating: 1 A Max.
- 2.2 Dielectric withstanding voltage: 750 V(ac) for 1 min.
- 2.3 Contact resistance: 30 mΩ Max.
- 2.4 Insulation resistance: 1000 MΩ Min.
- 2.5 Total mating force: 7.0 Kgf Max.
- 2.6 Total unmating force: 1.5 Kgf Min.
- 2.7 Temperature range: -55°C~85°C



PART NO.	A±0.25	B±0.2	C±0.2	D±0.2	E±0.2	I±0.1
DRM-SS-09	30.81	24.99	16.33	7.90	12.55	2.84
DRM-SS-15	39.25	33.32	24.66	7.90	12.55	2.84
DRM-SS-25	53.04	47.04	38.38	7.90	12.55	2.84
DRM-SS-37	69.32	63.50	54.84	7.90	12.55	2.84

RoHS Compliant

TOLERANCES ARE

MORETHANALL
PCB CONNECTORS
Cable ASSEMBLIES

DRAWING BY CY

X.±

CHECKED BY GENIUS

.X±

UNIT / mm

SCALE 1 : 1

.XX±

DATE

.XXX±

ANG ±

SIZE A4

P PROJECTION

照片框

ORDER INFORMATION

DR-SS-xx-LF
SERIES | LEADFREE
| 09~37 WAY
SEMI GOLD
FEMALE

煜倫股份有限公司

www.morethanall.com

DESCRIPTION: D-SUB RIGHT ANGLE P. B. C TYPE (F) 9. 4