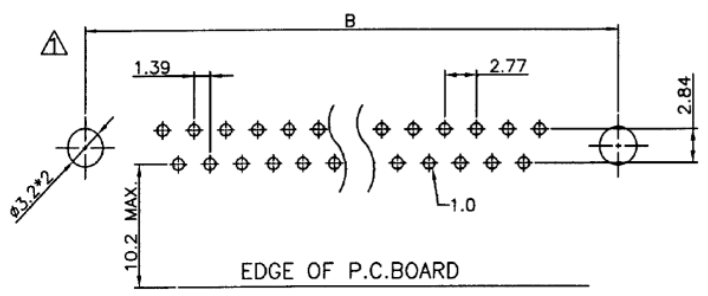
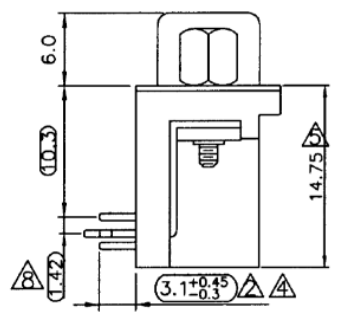
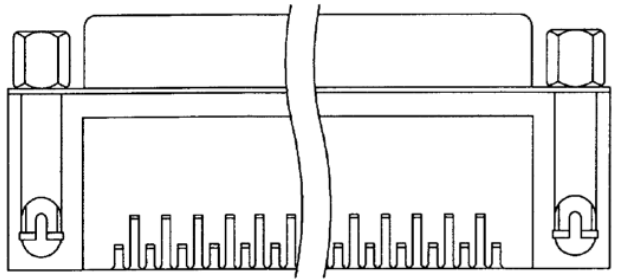


POSITION	A	B	C
9 p	16.30	25.00	30.8
15 p	24.60	33.30	39.2
25 p	38.30	47.10	53.1
37 p	54.80	63.50	69.4

△ SPECIFICATION  
 MATERIAL  
 Insulator: Thermal Plastic UL94V-0  
 Contacts: Copper Alloy  
 Shell: Steel  
 Rivet, Boardlock: Copper Alloy  
 △ CONTACT PLATING  
 Underplate: 50u"~100u" Nickel  
 Contact Area: 1u"~30u" Selective Gold  
 △ Solder Tails Area: 100u"~200u" Tin(Lead Free)  
 ELECTRICAL  
 Operation Voltage: 250 VAC Max.  
 Current Rating: 3 Amps  
 Contact Resistance: 15 mohms  
 Insulation Resistance: 3000 Mohms Min @ 500 VDC  
 Dielectric Withstanding Voltage: 1000 VAC / Minute  
 Temperature Range: -55°C TO +105°C



RECOMMENDED P.C.B LAYOUT (TOP VIEW)  
TOLERANCES: ±0.05mm

PARTS DIMENSION TABLE

parts no.	DIM. a	DIM. b	inner thread
C	4.8	11.8	4#40
E	5.8	12.0	4#40
G	4.8	11.8	M3
H	6.0	13.2	M2.6
I	5.8	11.8	M3
X	4.8	11.8	M2.6
Z	5.8	12.0	M2.6
7	6.0	12.0	4#40
9	6.1	12.0	4#40

RoHS Compliant

TOLERANCES ARE



DRAWING BY CY

X, ±

CHECKED BY GENIUS

.X ±

UNIT / mm

SCALE 1 : 1

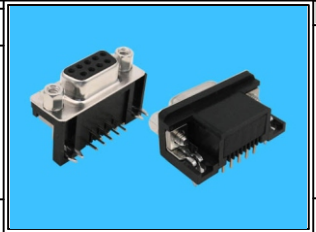
.XXX ±

DATE

ANG ±

SIZE A4

P PROJECTION



ORDER INFORMATION

DRM-SGNJ-xx-LF  
 SERIES | | | LEADFREE  
 | | | 09~37WAY  
 FEMALE | | | JACKSCREW  
 | | | NUT  
 | | | FULL GOLD

DESCRIPTION:

煜倫股份有限公司

www.morethanall.com