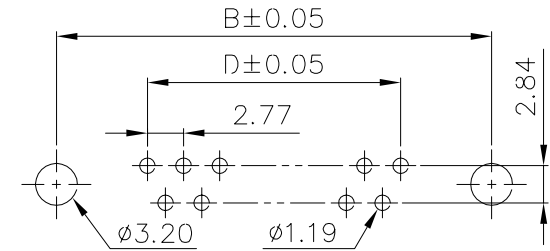
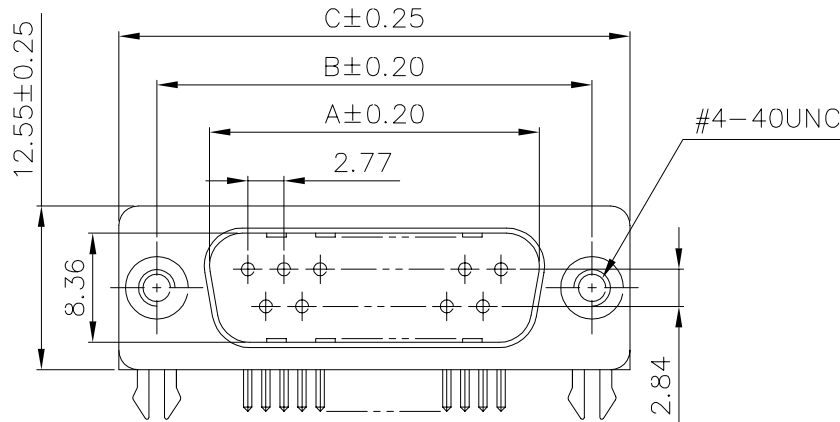


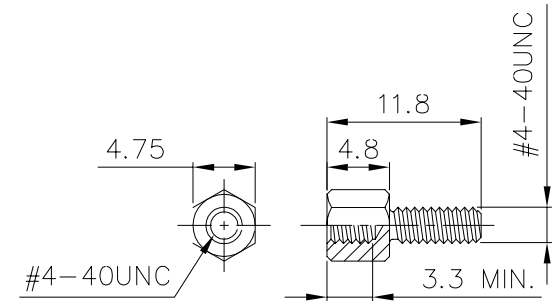
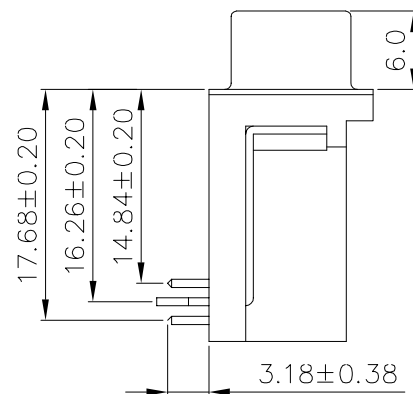
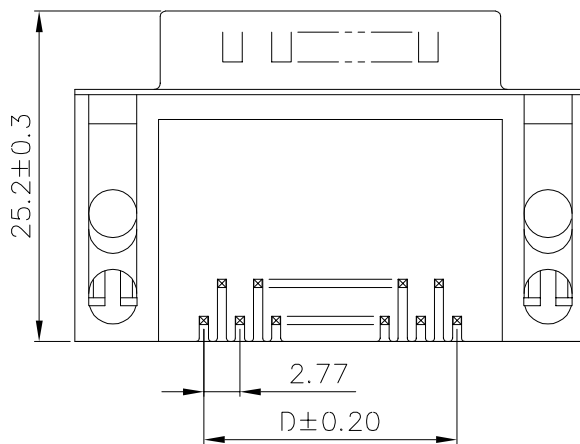
Material:
 Insulator: PBT+30% Glass Fiber (UL94V-0).
 Contact: Copper Alloy.
 Contact Plated: Gold or Tin over Nickel Plated.
 Shell: Steel with Nickel or Tin or Zinc Plated.

Specification:
 Current Rating: 5 Amps.
 Withstanding Voltage: AC 500V for 1 Minute.
 Insulation Resistance: 1000MΩ Min. at DC 500V.
 Contact Resistance: 15mΩ Max..
 Operating Temperature: -40°C ~ +105°C.



DRL-PN-09-LF
 LEADFREE

RoHS Compliant



LOCKING SCREW

Pos.	Dim. A	Dim. B	Dim. C	Dim. D
9	16.92	24.99	30.81	11.08
15	25.25	33.32	39.14	19.39
25	38.96	47.04	53.04	33.24
37	55.42	63.50	69.32	49.86

MORETHANALL
 CONNECTORS
 ASSEMBLIES

煜倫有限公司

PART NO. DRL-PN-xx		CHECKED BY CY	TOLERANCES ARE .X ± 0.2 .XX ± 0.1 .XXX ± AWG	DESCRIP TION: D-Sub Male Right Angle Connector Footprint 14.84mm Clinch Nut Type	AREA	REVISIONS	HK	DATE
DWG NO. DRL-PN-xx								
FILE NO.		DRAWING BY						
UNIT / mm	SCALE 1:1	PROJECTION						