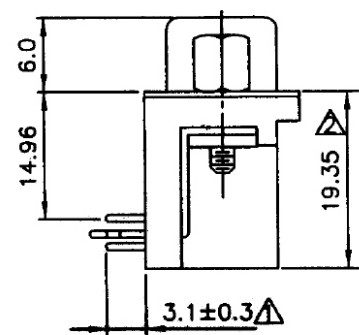
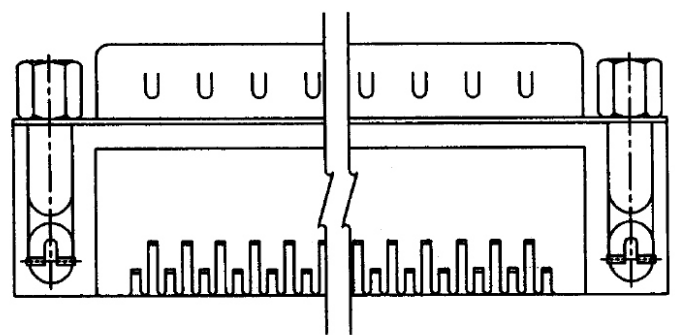
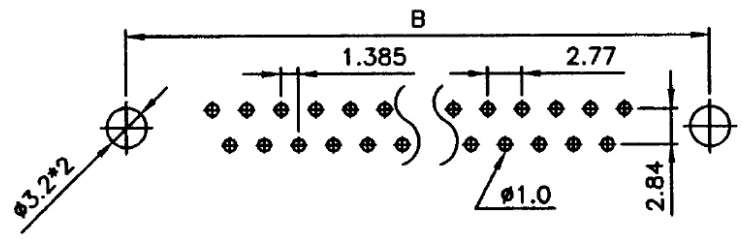


SPECIFICATION
MATERIAL
 Insulator: PBT, rated UL94V-0 (standard)
 Contacts: Brass (standard)
 Shell: Steel
 Rivet,Boardlock: Copper alloy
CONTACT PLATING
 Underplate: 50u" Nickel
 Contact area: 1u"-30u" Selective Gold
 Solder tails area: 100u" Tin/Lead
ELECTRICAL
 Operation voltage: 250 VAC max.
 Current rating: 3 Amps max.
 Contact resistance: 15 mohms max.
 Insulation resistance: 3000 Mohms min @ 500 VDC
 Dielectric withstanding voltage: 1000 VAC / minute
 Operating temperature: -55°C TO +105°C



DRL-PGNJ-xx-LF
 LEADFREE

RoHS Compliant



RECOMMENDED P.C.B LAYOUT(TOP VIEW)
 TOLERANCES: ±0.10mm

POSITION	A	B	C
9M	16.92	25.00	30.8
15M	25.25	33.30	39.2
23M	35.90	44.30	50.3
25M	38.96	47.10	53.1
37M	55.42	63.50	69.4



PART NO. **DRL-PGNJ-xx**

DWG NO. **DRL-PGNJ-xx**

FILE NO.

UNIT / mm SCALE 1:1

CHECKED BY CY

DRAWING BY

PROJECTION

TOLERANCES ARE

.X ± 0.2
 .XX ±
 .XXX ±
 AWG

DESCRIP TION:	AREA	REVISIONS	HK	DATE

煜倫股份有限公司