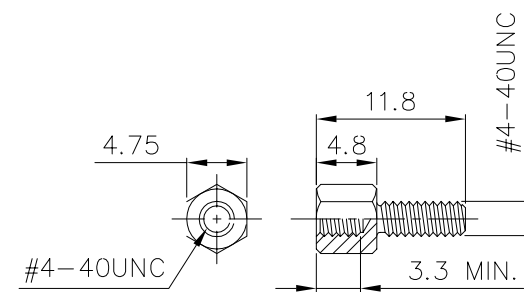
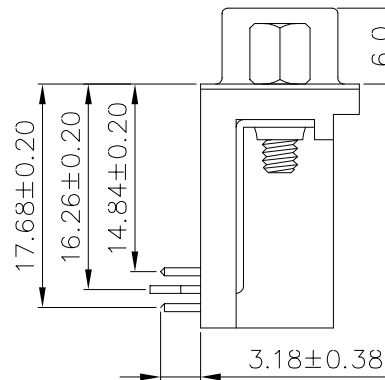
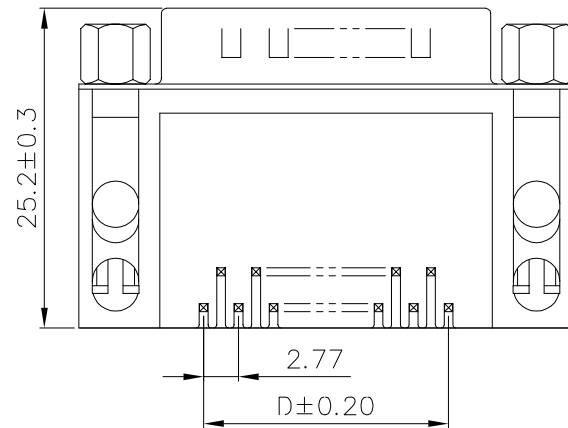
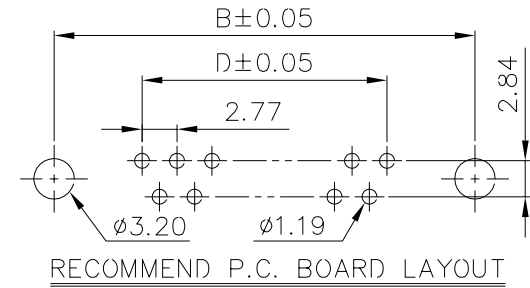
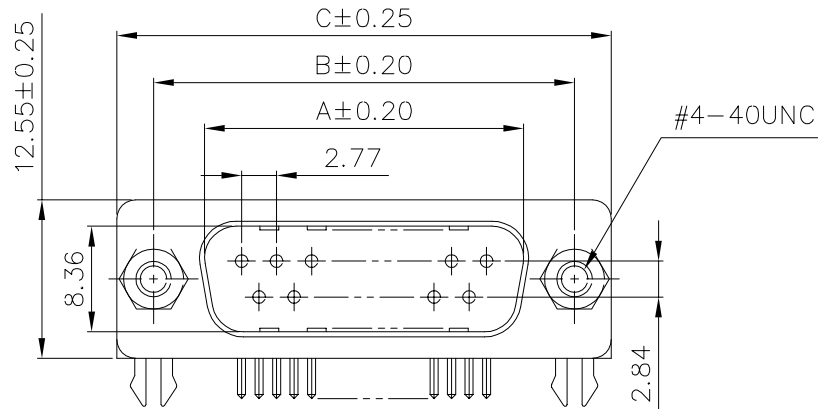


Material:
 Insulator: PBT+30% Glass Fiber (UL94V-0).
 Contact: Copper Alloy.
 Contact Plated: Gold or Tin over Nickel Plated.
 Shell: Steel with Nickel or Tin or Zinc Plated.

Specification:
 Current Rating: 5 Amps.
 Withstanding Voltage: AC 500V for 1 Minute.
 Insulation Resistance: 1000MΩ Min. at DC 500V.
 Contact Resistance: 15mΩ Max..
 Operating Temperature: -40°C ~ +105°C.



LOCKING SCREW

Pos.	Dim. A	Dim. B	Dim. C	Dim. D
9	16.92	24.99	30.81	11.08
15	25.25	33.32	39.14	19.39
25	38.96	47.04	53.04	33.24
37	55.42	63.50	69.32	49.86

MORETHANALL
 CONNECTORS
 ASSEMBLIES

焯倫有限公司

PART NO. DRL-P-xx

DWG NO. DRL-P-xx

FILE NO.

UNIT / mm

SCALE 1:1

CHECKED BY CY

DRAWING BY

PROJECTION



TOLERANCES ARE

.X ± 0.2
 .XX ± 0.1
 .XXX ±
 AWG

DESCRIPTION:

D-Sub Male Right Angle Connector
 Footprint 14.84mm
 Screw Lock Type

AREA

REVISIONS

HK

DATE