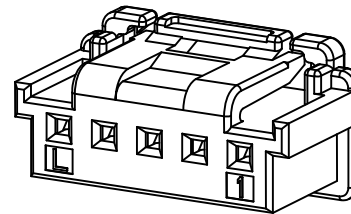
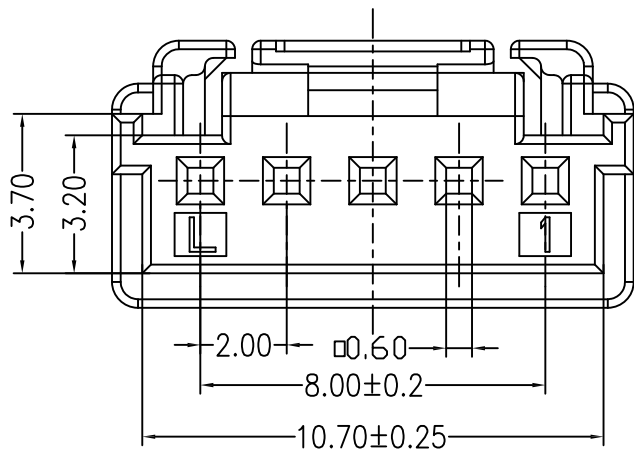


MATERIAL
Insulator: PBT

SPECIFICATIONS

线 数 (Poles): 02 to 15
 接触电阻 (Contact resistance): $\leq 10m\Omega$
 绝缘电阻 (Insulation resistance): $\geq 1000M\Omega$
 额定电压 (Rated voltage): 125V AC DC
 额定电流 (Rated current): 3.0A AC DC
 耐 电压 (Withstand Voltage) 500V AC/minute
 温度范围 (Temperature Range) $-40^{\circ}C \sim +105^{\circ}C$



RoHS Compliant

TOLERANCES ARE

MORETHANALL
PCB CONNECTORS
Cable ASSEMBLIES

煜倫股份有限公司

www.morethanall.com

DRAWING BY CY

CHECKED BY GENIUS

UNIT / mm

SCALE 1:1

DATE

SIZE A4

X, ±
 .X ± 0.30
 .XX ± 0.25
 .XXX ±
 ANG ± 3°

PPOJECTION

照片框

ORDER INFORMATION

DRC-H-05-LF
 SERIES | LEADFREE
 05 WAY
 HOUSING

DESCRIPTION: 2.0mmPITCH Housing