

SPECIFICATIONS

ELECTRICAL CHARACTERISTICS:

Contact Current Rating: 5 Amperes.
 Dielectric Withstanding Voltage: AC 1000/60sec.r.m.s.
 Insulation Resistance: 5000 Mohms Minimum
 Contact Resistance: 25 Milliohms Maximum.
 Operating Temperature: -55°C to $+105^{\circ}\text{C}$.

MECHANICAL CHARACTERISTICS:

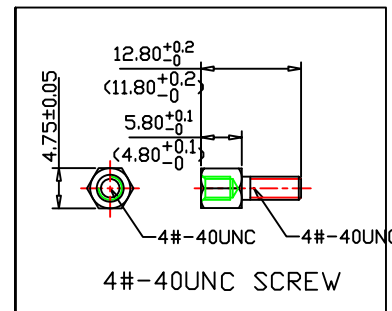
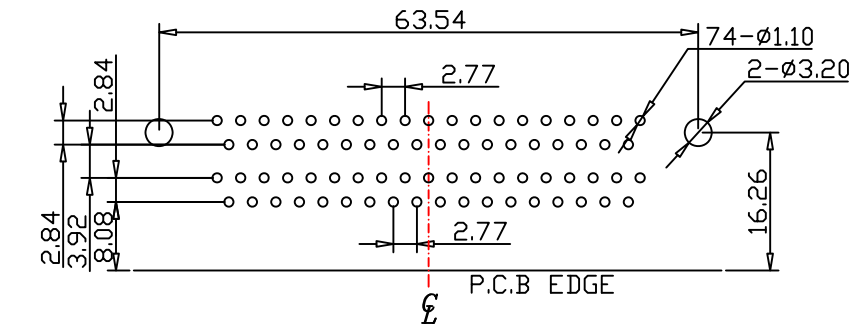
Contact Insertion Force: 341 g. Maximum.
 Contact Separation Force: 21 g. Minimum.

MATERIALS:

Contacts: Brass.
 Insulator: PBT UL 94V-0 Rated.
 Shell: Cold Roller Steel.

FINISHES:

Contact: Gold Flash.
 Shell: Nickel Plated.



RoHS Compliant

MORE THAN ALL
 CONNECTORS
 ASSEMBLIES

PART NO. DRB1-FN19HXZ1-3737

DWG NO. DRB1-FN19HXZ1-3737

CHECKED BY CY

TOLERANCES ARE

DESCRIPTION:

FILE NO.

DRAWING BY

.X ± 0.2
 .XX \pm
 .XXX \pm
 AWG

AREA

REVISIONS

HK

DATE

煜倫股份有限公司

UNIT / mm

SCALE 1:1

PROJECTION

