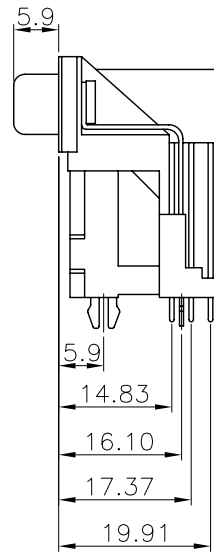
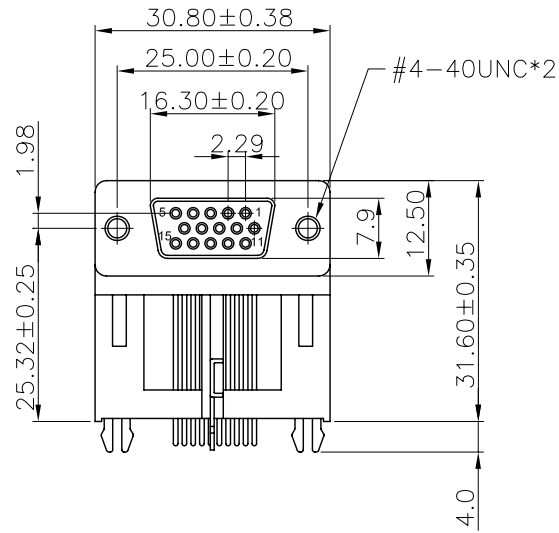


1 2 3 4 5 6 7 8 9 0

J  
I  
H  
G  
F  
E  
D  
C  
B  
A



**MATERIAL:**

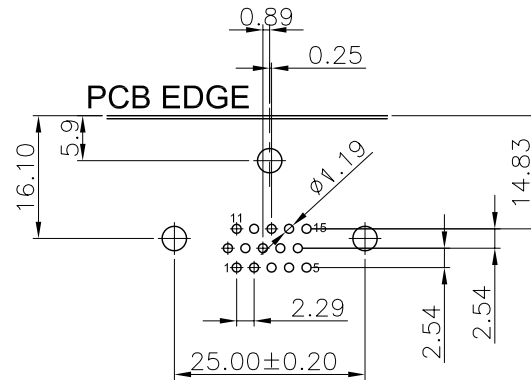
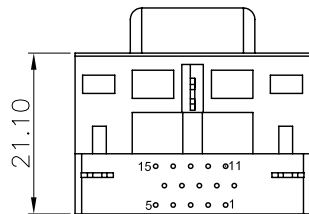
INSULATOR : PBT+30% GLASS FIBER (UL 94V-0).  
 CONTACT : COPPER ALLOY  
 CONTACT FINISH : GOLD OVER NICKEL  
 SHELL : STEEL ,NICKEL PLATED  
 BOARDLOCK : BRASS,TIN PLATED  
 RIVETED INSERT : BRASS,NICKEL PLATED

**SPECIFICATION:**

CURRENT RATING : 2 AMP  
 DIELECTRIC WITHSTANDING VOLTAGE : 1000V AC FOR 1 MINUTE.  
 INSULATION RESISTANCE : 1000MΩ MIN. AT 500V DC.  
 CONTACT RESISTANCE : 15mΩ MAX.  
 OPERATING TEMPERATURE : -55°C ~ +105°C.

DRB1-FN-3500-LF  
 LEADFREE

RoHS Compliant



**MORETHANALL**  
 CONNECTORS  
 ASSEMBLIES

PART NO. DRB1-FN-3500

DWG NO. DRB1-FN-3500

CHECKED BY CY

TOLERANCES ARE

DESCRIP TION:

HIGH DENSITY D-SUB HIGH RISE 15PIN

煜倫股份有限公司

FILE NO.

DRAWING BY

.X ± 0.2  
 .XX ± 0.1  
 .XXX ±  
 AWG

AREA

REVISIONS

HK

DATE

UNIT / mm

SCALE 1:1

PROJECTION

