

No. of Contact	A ±0.25	B ±0.13	C ±0.38	D ±0.25	E
09	16.92	24.99	30.81	19.28	11.08
15	25.25	33.32	39.14	27.51	19.39
25	38.96	47.04	53.04	41.28	33.24
37	55.42	63.50	69.32	57.71	49.86

MATERIALS AND FINISH

SHELL : STEEL MATERIAL, FRONT SHELL NICKEL FINISHED
BACK SHELL TIN FINISHED

INSULATOR : PBT THERMOPLASTIC, 30% GLASS FILLED, UL 94V-0 RATED, BLACK COLOR

CONTACT MATERIAL : BRASS

CONTACT FINISH : FULL GOLD FLASH

ELECTRICAL CHARACTERISTICS

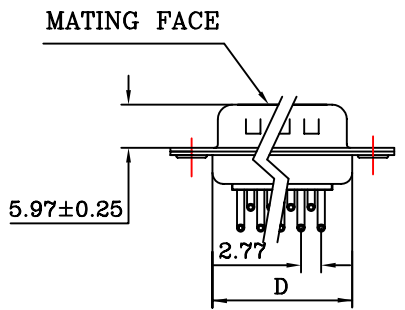
CONTACT CURRENT RATING : 5.0 AMPS

CONTACT RESISTANCE : 30 MILLIOHMS MAX.

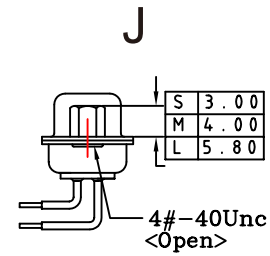
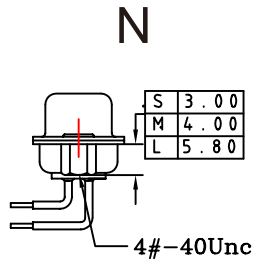
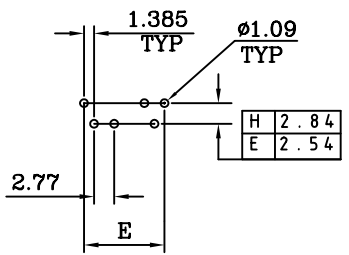
DIELECTRIC WITHSTANDING VOLTAGE : 1000 V AC MIN.

INSULATION RESISTANCE : 5000 MEGAOHMS MIN.

TEMPERATURE RATING : -55°C ~ +105°C



RECOMMEND P.C.B LAYOUT



RoHS Compliant

TOLERANCES ARE

X. ±
.X ± 0.30
.XX ± 0.25
.XXX ± 0.15
ANG ±

DRAWING BY CY

CHECKED BY GENIUS

UNIT / mm SCALE 1 : 1

DATE

SIZE A4

PPOJECTION

ORDER INFORMATION

DR72x-Px-xx-LF

SERIES

LEADFREE

72:HIGH 7.2mm ROW 2.84mm
721:HIGH 7.2mm ROW 2.54mm

09~37WAY
BLANK:STANDARD
N:NUT
J:JACKSCREW
MALE

DESCRIPTION:



煜倫股份有限公司

www.morethanall.com