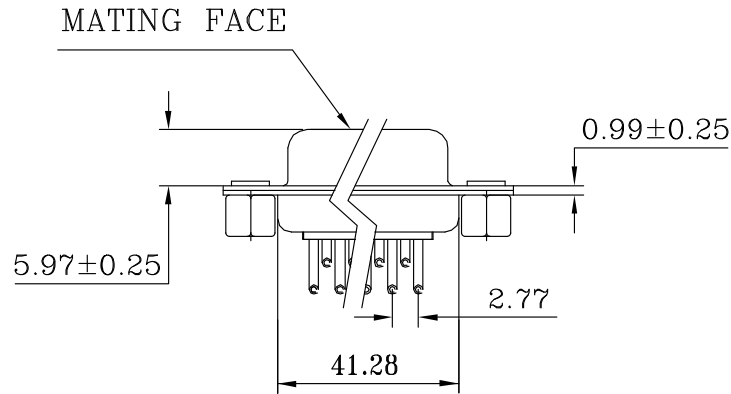
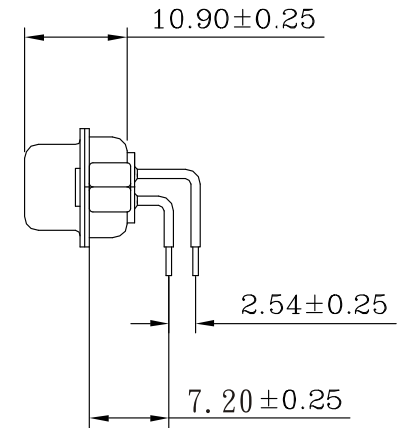


P.C.B LAYOUT



MATERIALS AND FINISH

SHELL : STEEL MATERIAL, FRONT SHELL NICKEL FINISHED
BACK SHELL TIN FINISHED

INSULATOR : PBT THERMOPLASTIC, 30% GLASS
FILLED, UL 94V-0 RATED, BLACK COLOR

CONTACT MATERIAL : BRASS
CONTACT FINISH : FULL GOLD FLASH

ELECTRICAL CHARACTERISTICS

CONTACT CURRENT RATING : 5.0 AMPS
CONTACT RESISTANCE : 30 MILLIOHMS MAX.
DIELECTRIC WITHSTANDING VOLTAGE : 1000 V AC MIN.
INSULATION RESISTANCE : 5000 MEGAOHMS MIN.
TEMPERATURE RATING : -55°C ~ +105°C

RoHS Compliant

TOLERANCES ARE



煜倫股份有限公司

www.morethanall.com

DRAWING BY CY

CHECKED BY GENIUS

UNIT / mm SCALE 1 : 1

DATE

SIZE A4

X.±
.X±
.XX±
.XXX±
ANG±

PJECTION

照片框

ORDER INFORMATION

DR72-SN-25-LF

SERIES | LEADFREE
25 WAY
NUT
FEMALE

DESCRIPTION: