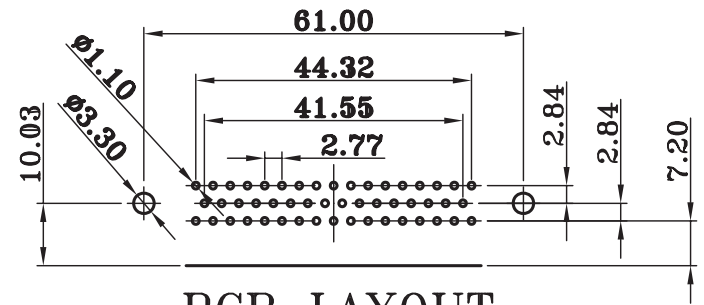
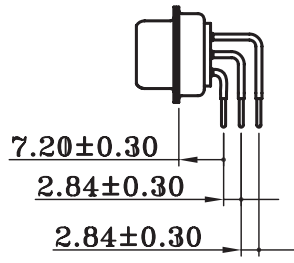
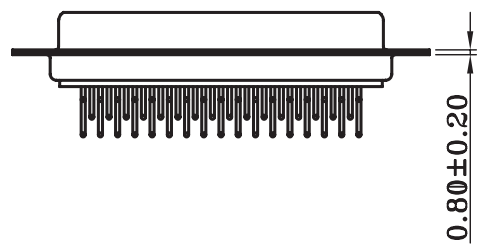
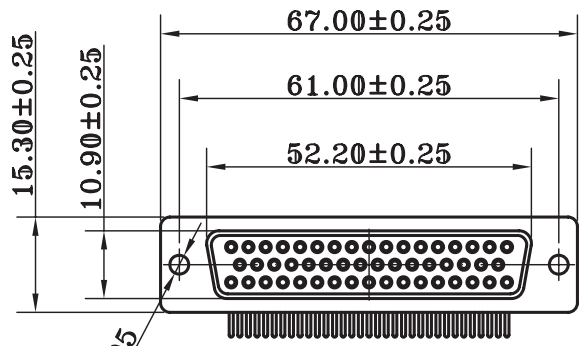


J
I
H
G
F
E
D
C
B
A



PCB LAYOUT

MATERIALS AND FINISH
 SHELL : STEEL MATERIAL, FRONT SHELL TIN FINISHED
 BACK SHELL TIN FINISHED
 DIMPLES ON PLUG ONLY
 INSULATOR : PBT THERMOPLASTIC, 30% GLASS FILLED,
 UL 94V-0 RATED, BLACK COLOR
 SIGNAL CONTACT : COPPER ALLOY, FULL GOLD FLASH

ELECTRICAL CHARACTERISTICS
 CONTACT CURRENT RATING : 5.0 AMPS
 CONTACT RESISTANCE : 10 mΩ MAX.
 DIELECTRIC WITHSTANDING VOLTAGE : 1000 V AC MIN.
 INSULATION RESISTANCE : 5GΩ MIN.
 TEMPERATURE RATING : -55°C ~ +125°C

DR72-Sxxx-50-LF
 LEADFREE

RoHS Compliant

MOUNTING STYLE		RoHS Compliant	
S	SN	SJ	
SZJ	SLN	SZNB	SZN

MORETHANALL
 CONNECTORS
 ASSEMBLIES

PART NO. DR72-Sxxx-50

DWG NO. DR72-Sxxx-50

FILE NO.

CHECKED BY CY

DRAWING BY

TOLERANCES ARE

.X ± 0.2
 .XX ±
 .XXX ±
 AWG

DESCRIPTION:

焯倫股份有限公司

UNIT / mm

SCALE 1:1

PROJECTION

AREA

REVISIONS

HK

DATE