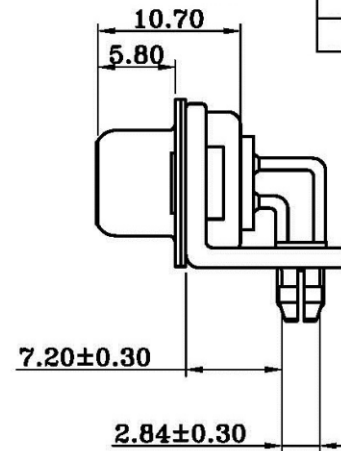


PCB LAYOUT

系列 / 规格	A	B	C	D
09	30.80	25.00	16.30	11.08
15	39.20	33.30	24.60	19.39
25	53.05	47.05	38.40	33.24
37	69.40	63.50	55.80	49.86



MATERIALS AND FINISH

SHELL : STEEL MATERIAL, FRONT SHELL TIN FINISHED
 BACK SHELL TIN FINISHED
 DIMPLES ON PLUG ONLY
 INSULATOR : PBT THERMOPLASTIC, 30% GLASS FILLED,
 UL 94V-0 RATED, BLACK COLOR
 SIGNAL CONTACT : COPPER ALLOY, FULL GOLD FLASH

ELECTRICAL CHARACTERISTICS

CONTACT CURRENT RATING : 5.0 AMPS
 CONTACT RESISTANCE : 10 mΩ MAX.
 DIELECTRIC WITHSTANDING VOLTAGE : 1000 V AC MIN.
 INSULATION RESISTANCE : 5GΩ MIN.
 TEMPERATURE RATING : -55°C ~ +125°C

RoHS Compliant

TOLERANCES ARE

MORETHANALL
 PCB CONNECTORS
 Cable ASSEMBLIES

DRAWING BY CY

CHECKED BY GENIUS

UNIT / mm

SCALE 1 : 1

DATE

SIZE A4

PJECTION

X, ±
 .X ±
 .XX ±
 .XXX ±
 ANG ±

照片框

ORDER INFORMATION

DR72-SZN-xx-LF

SERIES LEADFREE
 09-37WAY
 NUT
 CLIP
 FEMALE

煜倫股份有限公司

www.morethanall.com

DESCRIPTION: