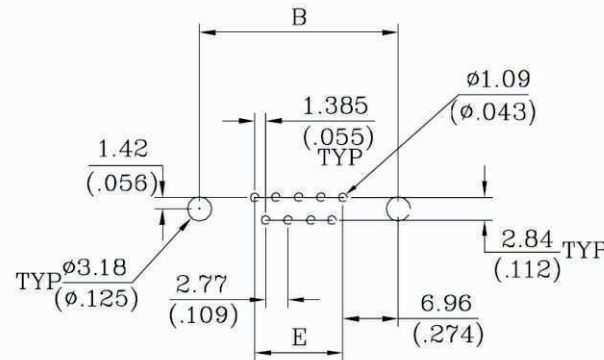
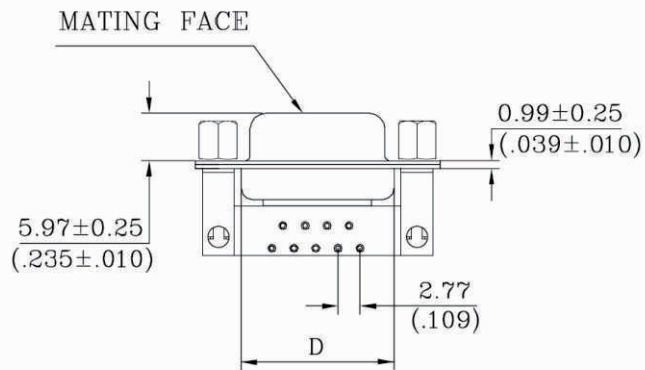


No. of Contact	A ±0.25 ±.010	B ±0.13 ±.005	C ±0.38 ±.015	D ±0.25 ±.010	E
09	16.33 .643	24.99 .984	30.81 1.213	19.28 .759	11.08 .436
15	24.66 .971	33.32 1.312	39.14 1.541	27.51 1.083	19.39 .763
25	38.38 1.511	47.04 1.852	53.04 2.088	41.28 1.625	33.24 1.310
37	54.84 2.159	63.50 2.500	69.32 2.729	57.71 2.272	49.86 1.963



P.C.B LAYOUT

RoHS Compliant

TOLERANCES ARE

**MORETHANALL**  
PCB CONNECTORS  
Cable ASSEMBLIES

DRAWING BY CY

X. ±

CHECKED BY GENIUS

.X ±

UNIT/ mm SCALE 1:1

.XX ±

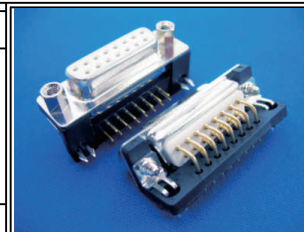
DATE

.XXX ±

ANG ±

SIZE A4

P PROJECTION



ORDER INFORMATION

DR72-SZJ-xx-LF

SERIES | | | LEADFREE  
| | | 09~37 WAY  
| | | JACKSCRW  
| | | CLIP  
| | | FEMALE

煜倫股份有限公司

www.morethanall.com

DESCRIPTION: