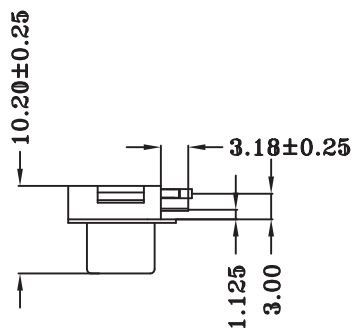
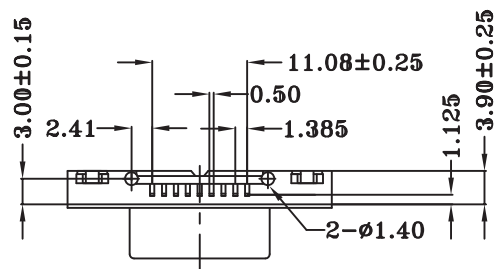
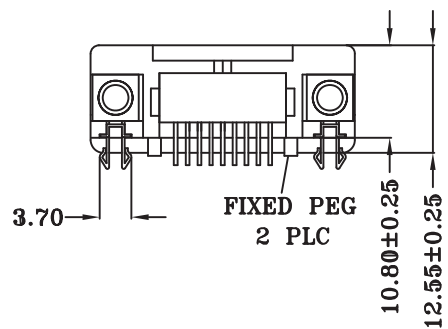


Pin Number :
1 6 2 7 3 8 4 9 5
Recommended PCB Layout



Material And Finish
 Shell -Steel zinc plated or tin plated
 Bracket-Brass strip-H nickel plated
 Screw-Brass nickel plated
 Insulator-NYLON 6T
 UL-94V0,color black
 Contact Material-
 Socket-Phosphor bronze

Duplex plated as follows:
 A-.000030[.00076]gold on mating end.
 tin-lead on termination end, with entire contact nickel
 B-.000015[.00038]gold on mating end.
 tin-lead on termination end, with entire contact nickel
 C-Gold flash on mating end.
 tin-lead on termination end, with entire contact nickel

Specifications
 Rated current
 5A
 Rated Voltage
 300V DC
 Withstanding Voltage
 500V(r.m.s) AC for 1 minute
 Insulation Resistance
 more than 1000M ohm at 500V DC
 Contact Resistance
 13m ohm Max
 Dielectric Strength
 1000V AC Min for 1 minute
 Temperature
 +235 °C~+260 °C

RoHS Compliant

TOLERANCES ARE

MORETHANALL
 PCB CONNECTORS
 Cable ASSEMBLIES

DRAWING BY CY

CHECKED BY GENIUS

UNIT / mm

SCALE 1 : 1

DATE

SIZE A4

PPOJECTION

X.±
 .X±
 .XX±
 .XXX±
 ANG ±

照片框

ORDER INFORMATION

DR11-SN22-09-LF

SERIES LEADFREE
 09 WAY
 CLIP
 NUT
 FEMALE

煜倫股份有限公司

www.morethanall.com

DESCRIPTION: D Subminiature , Right Angle One Rows P.C.B Type Low Profile 9 Post Female