

**SPECIFICATION**

**MATERIAL**

INSULATOR: PA6T (UL94V-0)

CONTACT: Brass

SHELL: Steel

**CONTACT PLATING**

Underplate: 50μ Nickel

Contact Area: 1m<sup>2</sup>~30m<sup>2</sup> Selective Gold

Solder Tails Area: 80m<sup>2</sup>~100m<sup>2</sup> Tin/Lead  
or 80m<sup>2</sup>~100m<sup>2</sup> Tin/Lead Free

**SPECIFICATION**

Current Rating: 5 Amps

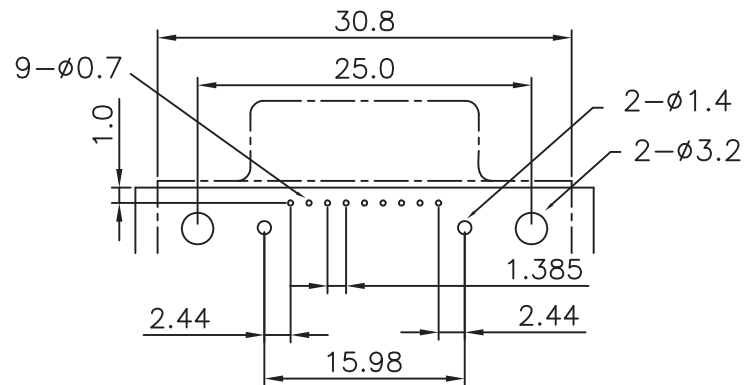
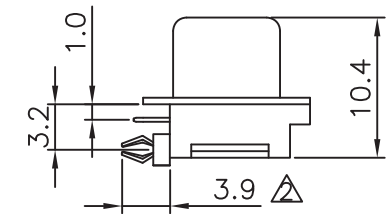
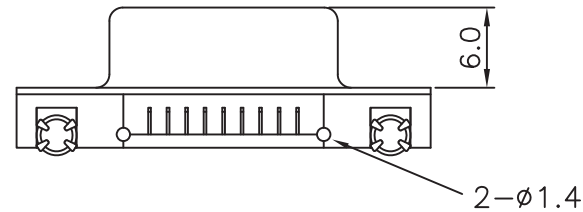
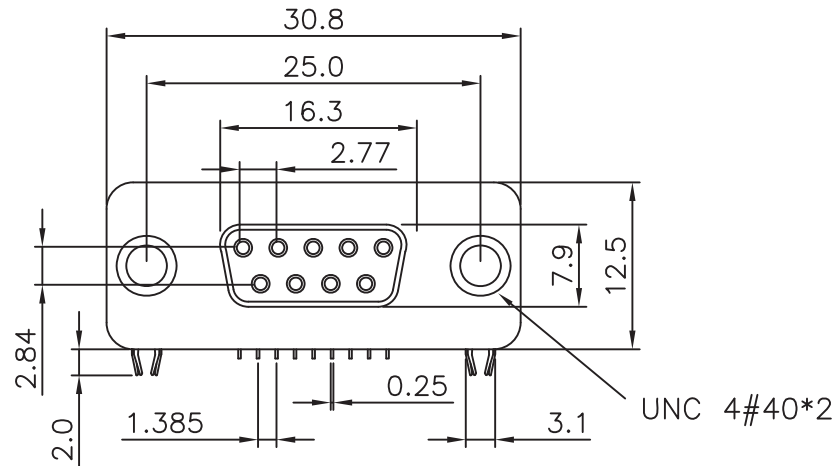
Contact Resistance: 20 mW Max.

Insulation Resistance: 1000 MW Min at 500 V DC

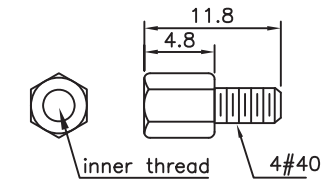
Withstanding Voltage: 1000V AC / Minute

Operating Temperature: -55℃ To +125℃

Max Processing Temperature: 210℃ For 30~60 Seconds



P.B.C. LAYOUT



煜倫股份有限公司

www.morethanall.com

RoHS Compliant

TOLERANCES ARE

DRAWING BY CY

X.±

CHECKED BY GENIUS

.X±

UNIT / mm

SCALE 1:1

.XX±

DATE

.XXX±

ANG ±

SIZE A4

PJECTION

照片框

**ORDER INFORMATION**

DR10-SNZ4H-09-LF  
SERIES | | | | | T LEADFREE  
| | | | | 09 WAY  
| | | | | HEX SCREW  
| | | | | CLIP  
| | | | | NUT  
| | | | | FEMALE

DESCRIPTION: D-SUB PCB RIGHT ANGLE FEMALE FOR NOTEBOOK