

△ SPECIFICATION
MATERIAL

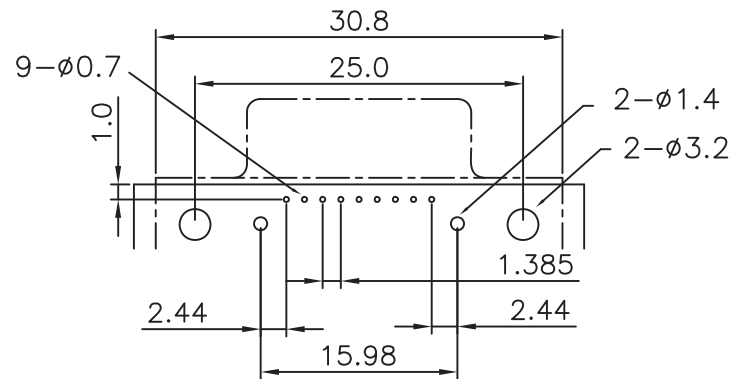
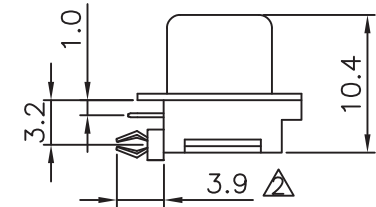
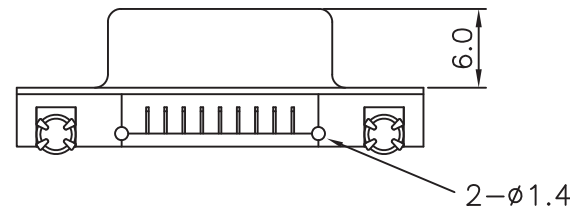
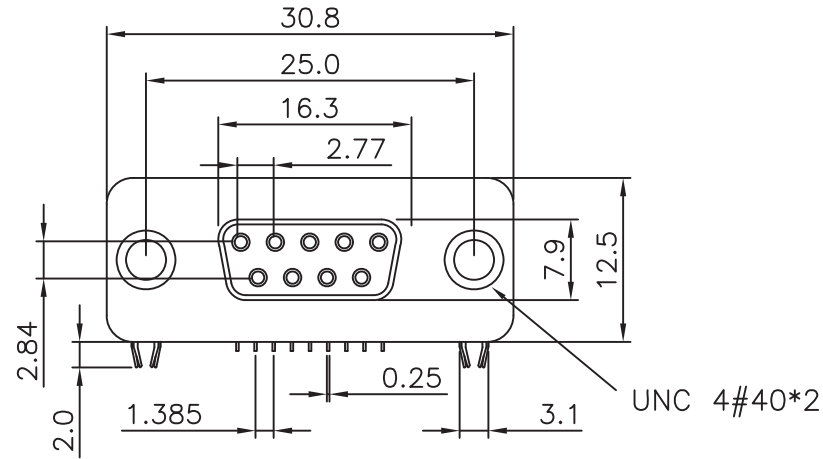
INSULATOR: PA6T (UL94V-0)
CONTACT: Brass
SHELL: Steel

△ CONTACT PLATING

Underplate: 50nm Nickel
Contact Area: 1m²~30m² Selective Gold
Solder Tails Area: 80m²~100m² Tin/Lead
or 80m²~100m² Tin/Lead Free

SPECIFICATION

Current Rating: 5 Amps
Contact Resistance: 20 mΩ Max.
Insulation Resistance: 1000 MW Min at 500 V DC
Withstanding Voltage: 1000V AC / Minute
Operating Temperature: -55°C To +125°C
Max Processing Temperature: 210°C For 30~60 Seconds



P.B.C. LAYOUT

RoHS Compliant

TOLERANCES ARE

MORETHANALL
PCB CONNECTORS
Cable ASSEMBLIES

煜倫股份有限公司

www.morethanall.com

DRAWING BY CY

CHECKED BY GENIUS

UNIT / mm SCALE 1 : 1

DATE

SIZE A4

X. ±
.X ±
.XX ±
.XXX ±
ANG ±

P PROJECTION

照片框

ORDER INFORMATION

DR10-SNZ4-09-LF
SERIES | | LEADFREE
| | 09 WAY
| CLIP
| NUT
| FEMALE

DESCRIPTION: D-SUB PCB RIGHT ANGLE FEMALE FOR NOTEBOOK