

SPECIFICATION

MATERIAL

INSULATOR: PA6T (UL94V-0)

CONTACT: Brass

SHELL: Steel

CONTACT PLATING

Underplate: 50m Nickel

Contact Area: 1m~30m Selective Gold

Solder Tails Area: 80m~100m Tin/Lead  
or 80m~100m Tin/Lead Free

SPECIFICATION

Current Rating: 5 Amps

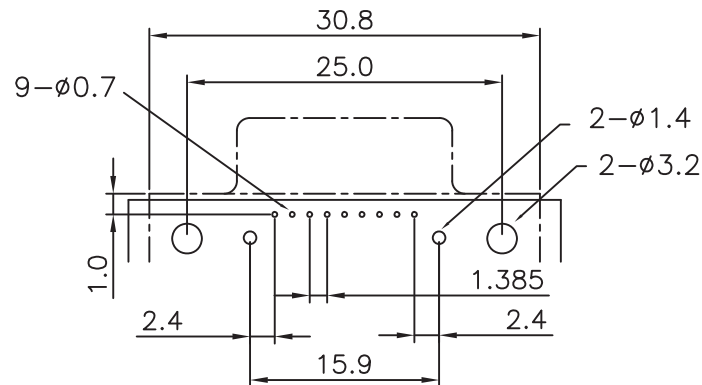
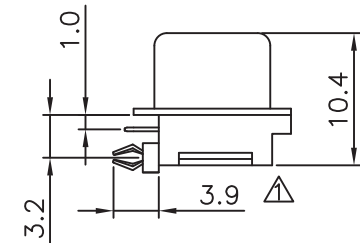
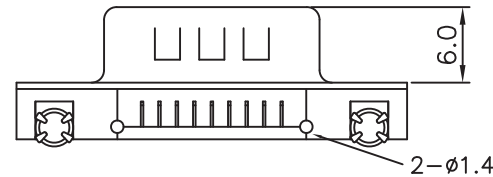
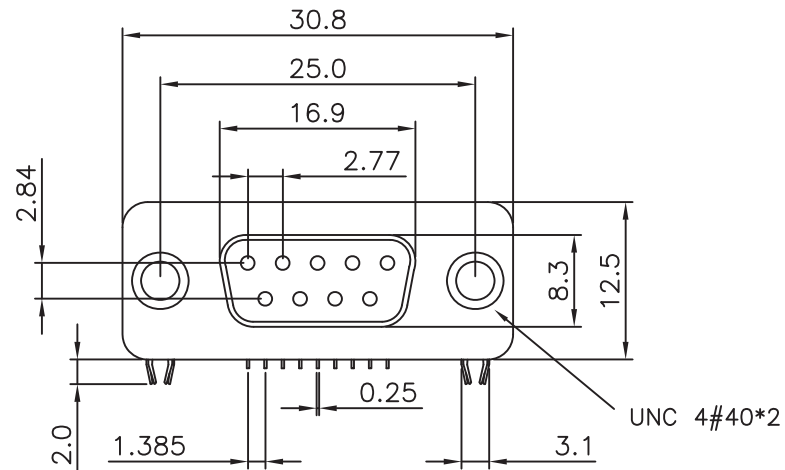
Contact Resistance: 20 mW Max.

Insulation Resistance: 1000 MW Min at 500 V DC

Withstanding Voltage: 1000V AC / Minute

Operating Temperature: -55°C To +125°C

Max Processing Temperature: 210°C For 30~60 Seconds



P.B.C. LAYOUT

RoHS Compliant

TOLERANCES ARE

**MORETHANALL**  
PCB CONNECTORS  
Cable ASSEMBLIES

煜倫股份有限公司

www.morethanall.com

DRAWING BY CY

CHECKED BY GENIUS

UNIT / mm SCALE 1:1

DATE

SIZE A4

X, ±

.X ±

.XX ±

.XXX ±

ANG ±

PPOJECTION

照片框

ORDER INFORMATION

DR10-PNZ4-09-LF

SERIES | | LEADFREE  
| | 09 WAY  
| | CLIP  
NUT  
MALE

DESCRIPTION: D-SUB PCB RIGHT ANGLE MALE FOR NOTEBOOK