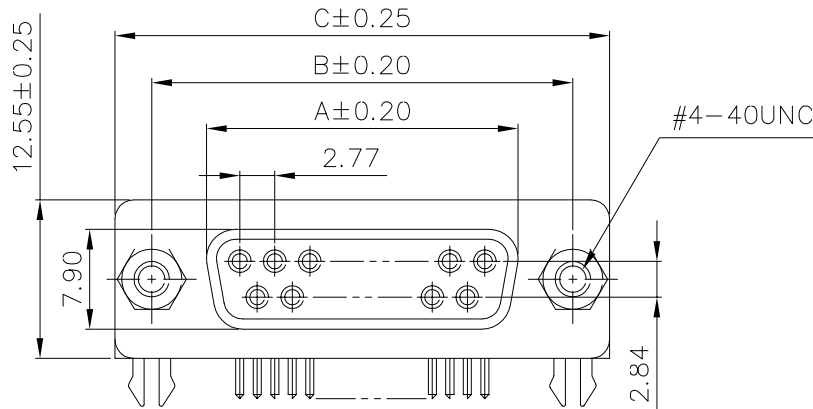


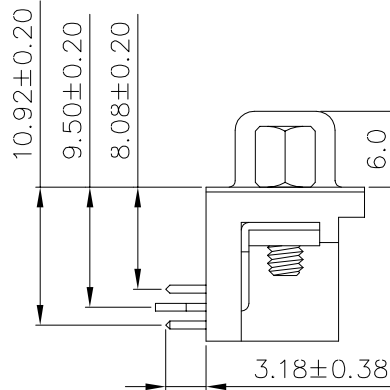
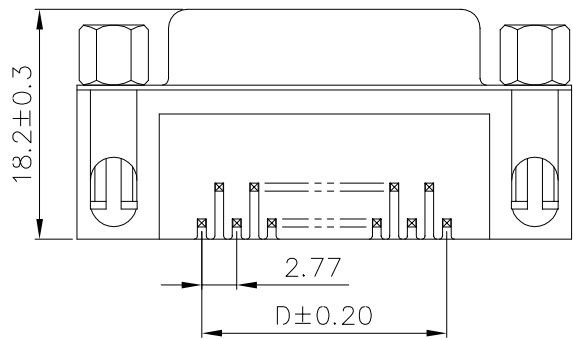
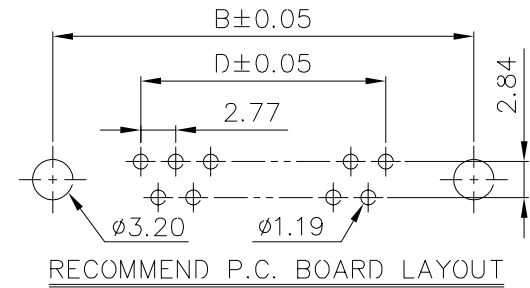
Material:  
 Insulator: PBT+30% Glass Fiber (UL94V-0).  
 Contact: Copper Alloy.  
 Contact Plated: Selective Gold Flash Plated.  
 Shell: Steel with Nickel or Tin or Zinc Plated.  
 4-40 3Threaded Riveted & jack Screws Assembled.

Specification:  
 Current Rating: 5 Amps.  
 Withstanding Voltage: AC 500V for 1 Minute.  
 Insulation Resistance: 1000MΩ Min. at DC 500V.  
 Contact Resistance: 30 mΩ Max..  
 Operating Temperature: -40°C ~ +105°C.



DR-SxxxNJ-xx-LF  
 LEADFREE  
 S :SEMIGOLD FLASH  
 S30:SEMIGOLD 30u"

RoHS Compliant



Pos.	Dim. A	Dim. B	Dim. C	Dim. D
9	16.33	24.99	30.81	11.08
15	24.66	33.32	39.14	19.39
25	38.38	47.04	53.04	33.24
37	54.84	63.50	69.32	49.86

**MORETHANALL**  
 CONNECTORS  
 ASSEMBLIES

PART NO. DR-SxxxNJ-xx

DWG NO. DR-SxxxNJ-xx

CHECKED BY CY

TOLERANCES ARE

DESCRIP TION:

D-Sub Female Right Angle  
 Connector Footprint 8.08mm  
 Clinch Nut/Screw Lock Type

煜倫股份有限公司

FILE NO.

DRAWING BY

.X±0.2  
 .XX±  
 .XXX±  
 AWG

AREA

REVISIONS

HK

DATE

UNIT / mm

SCALE 1:1

PROJECTION

