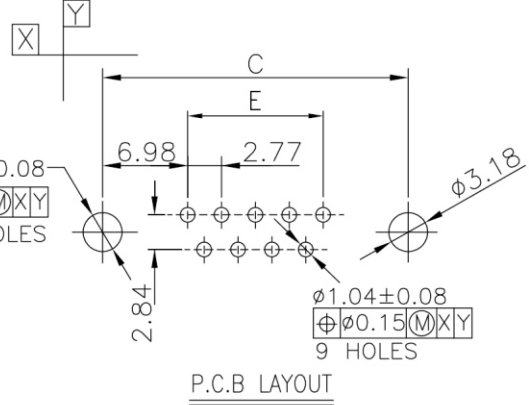
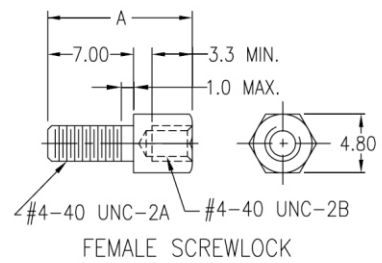
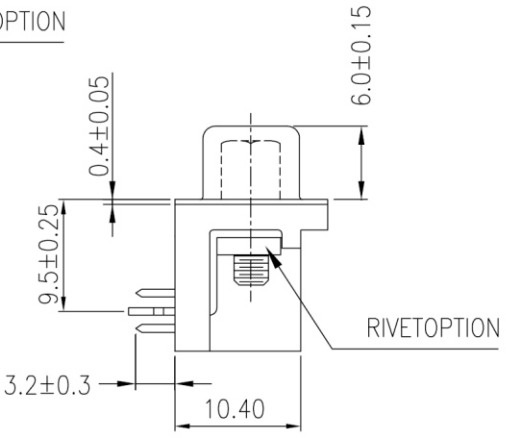
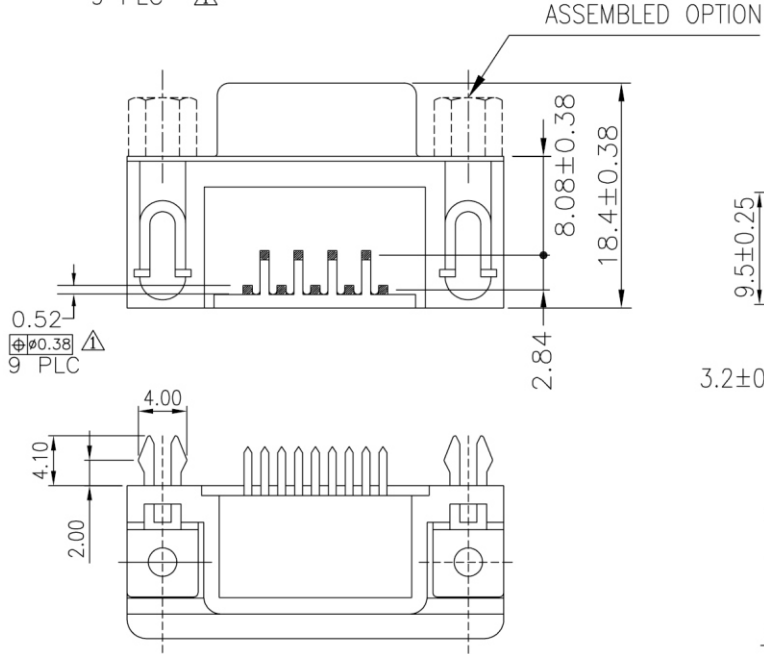


SHELL SIZE	B±0.25	C±0.25	D±0.38	E
09 PIN	16.33	24.99	30.80	11.08
15 PIN	24.66	33.32	39.10	19.39
25 PIN	38.38	47.04	53.00	33.24
37 PIN	54.84	63.50	69.32	49.86

MATERIAL:
 SHELL: STEEL.
 INSULATOR: PBT OR NY9T WITH 30% GLASS FIBER,
 UL 94V-0.
 CONTACT: PHOS. BRONZE OR BRASS.
 BOARDLOCKS: BRASS.
 THREADED INSERTS: BRASS.
 FINISH:
 SHELL: NICKEL PLATED.
 CONTACT: GOLD PLATED ON CONTACT AREA & 100u"
 MIN. SN ONLY PLATED ON SOLDERING END
 OVER 30 OR 50u" NICKEL UNDER-PLATING.
 BOARDLOCKS: SN ONLY PLATED ON SOLDERING END
 OVER NICKEL UNDER-PLATING.
 THREADED INSERTS: NICKEL PLATED.
 SPECIFICATION:
 CURRENT RATING: 2A MAX.
 DIELECTRIC STRENGTH: 1000V AC RMS FOR 1 MINUTE.
 CONTACT RESISTANCE: 20mΩ MAX.
 INSULATOR RESISTANCE: 1000MΩ MIN.
 TEMPERATURE: -55°C TO +105°C



DIM A
11.80 MM
13 MM

DR-SSNH-xx-LF
LEADFREE
RoHS Compliant



PART NO. DR-SSNH-xx		CHECKED BY CY		TOLERANCES ARE .X ± 0.2 .XX ± .XXX ± AWG	DESCRIP TION:			
DWG NO. DR-SSNH-xx		DRAWING BY			AREA	REVISIONS	HK	DATE
FILE NO.		PROJECTION						
UNIT / mm	SCALE 1:1							

煜倫股份有限公司