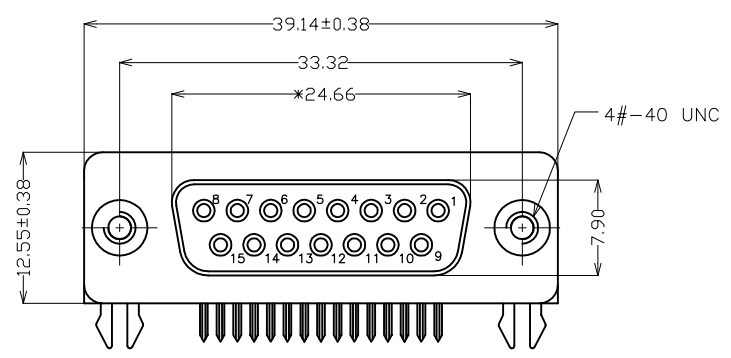
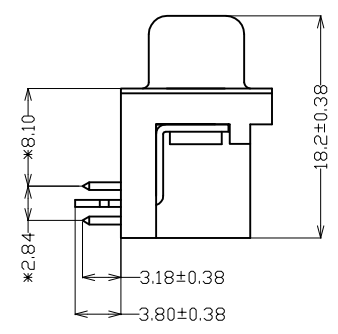
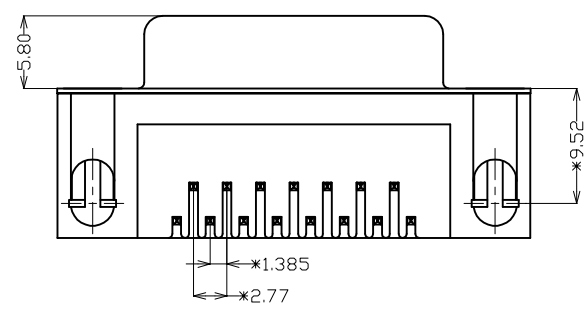


TOP VIEW
PCB LAYOUT (TOLERANCE ±0.05)



- NOTES:
- MATERIAL
 - Insulator: PBT+30%Glass Fiber (UL94V-0)
 - Contact: Brass
 - Contact: Gold/Tin Plated
 - Shell: Steel, Nickel Plated
 - Screw: Brass, Nickel Plated
 - Z Shape: Brass, Tin Plated
 - SPECIFICATION
 - Current Rate: 5 Amps
 - Insulator Resistance: 1000MΩ Min. at 500V DC
 - Dielectric Strength: 1000V Per minute
 - Operation Temperature: -55°C ~ +105°C

*"標示是重點管控尺寸"



PART NO:	CONTACTS PLATING	COLOR	MATERIAL
DR-SSNH-15	GOLD/TIN PLATED	BLACK	PBT

DR-SSNH-15-LF
LEADFREE
RoHS Compliant



煜倫股份有限公司

PART NO. DR-SSNH-15		CHECKED BY CY		TOLERANCES ARE X ± .X ± 0.5 .XX ± 0.3 .XXX ± ANG	DESCRIPTION: DR15母鉚附半金黑 8.1 RoHS 簡易型 RoHS
DWG NO. DR-SSNH-15		DRAWING BY			
FILE NO.		PROJECTION		AREA	REVISIONS
UNIT / mm	SCALE 1:1			DATE	