

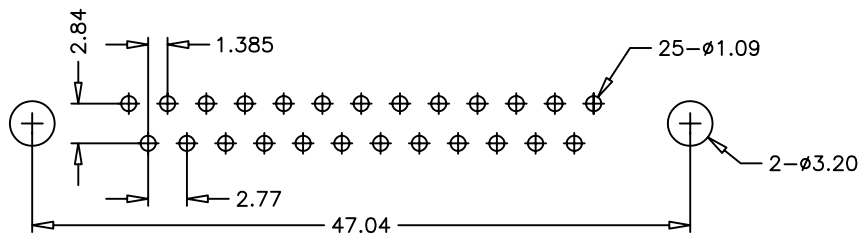
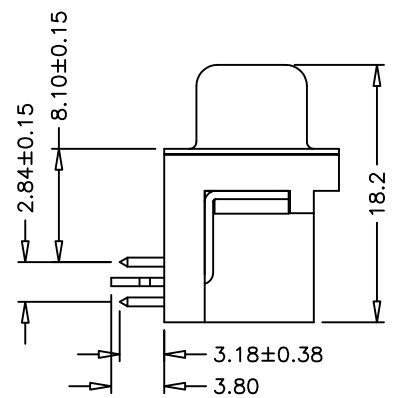
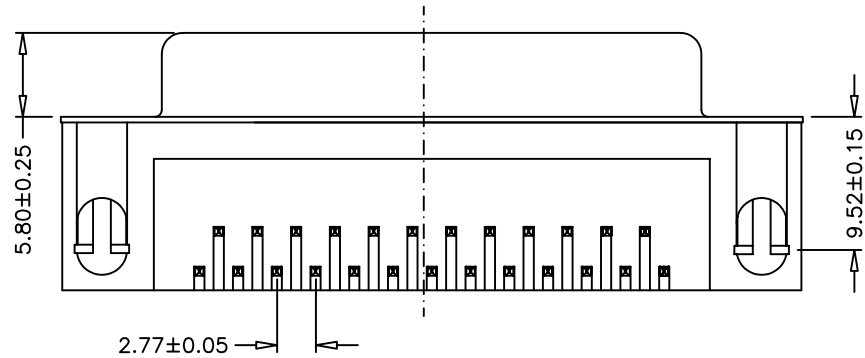
NOTES:

1.MATERIAL

- 1.1 Insulator:PBT+30%Glass Fiber (UL94V-0)
- 1.2 Contact: Brass
- 1.3 Contact Plated:Gold /TIN PLATED
- 1.4 Shell:Spcc,Nickel plated

2.SPECIFICATION

- 2.1 Current Rate:5 Amps
- 2.2 Contact Rsistance:30mΩ Max.
- 2.3 Insulator Resistance:1000MΩ Min.
- 2.4 Dielectric Strength:500V AC Per minute
- 2.5 Operation Temperature:-55℃ to+105℃



P.C.B. LAYOUT

DR-SSN-25-LF
LEADFREE
RoHS Compliant

	PART NO. DR-SSN-25		TOLERANCES ARE X ± .X ± 0.5 .XX ± 0.3 .XXX ± ANG	DESCRIPTION: DR25母叉鉚半金黑 8.1 RoHS		
	DWG NO. DR-SSN-25					
焯倫股份有限公司	FILE NO.		DRAWING BY	AREA	REVISIONS	DATE
	UNIT / mm	SCALE 1:1	PROJECTION			