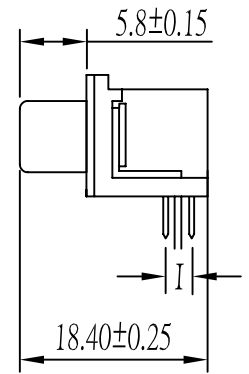
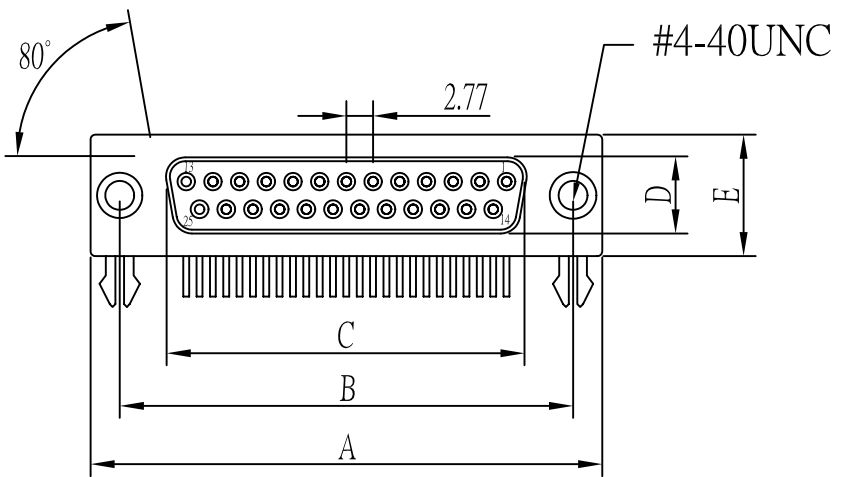


P.C.B. LAYOUT

- Note:
- Material:
 - Insulator: High temperature thermoplastic with g.f,UL94v-0
 - Contact: Copper alloy,t=0.20mm
 - Shell: Spcc,t=0.30mm
 - Specification:
 - Current rating: 1 A Max.
 - Dielectric withstanding voltage: 750 V(ac) for 1 min.
 - Contact resistance: 30 mW Max.
 - Insulation resistance: 1000 MW Min.
 - Total mating force: 7.0 Kgf Max.
 - Total unmating force: 1.5 Kgf Min.
 - Temperature range: -55°C~85°C



PART NO.	A±0.25	B±0.2	C±0.2	D±0.2	E±0.2	I±0.1
DR-SN-09	30.81	24.99	16.33	7.90	12.55	2.84
DR-SN-15	39.25	33.32	24.66	7.90	12.55	2.84
DR-SN-25	53.04	47.04	38.38	7.90	12.55	2.84
DR-SN-37	69.32	63.50	54.84	7.90	12.55	2.84

MORETHANALL
CONNECTORS
ASSEMBLIES

煜倫有限公司

PART NO.	DR-SN-xx	CHECKED BY	CY	TOLERANCES ARE	DESCRIP TION:	D-SUB RIGHT ANGLE P.B.C TYPE(F)			
DWG NO.	DR-SN-xx								
FILE NO.		DRAWING BY		X ±0.3 .XX ±0.2 .XXX ±0.1 AWG	AREA	REVISIONS	HK	DATE	
UNIT / mm	SCALE 1:1								