

NOTES:

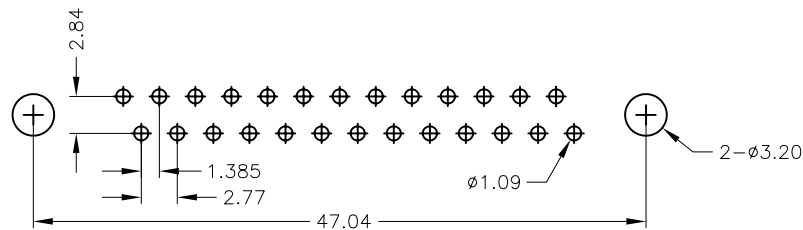
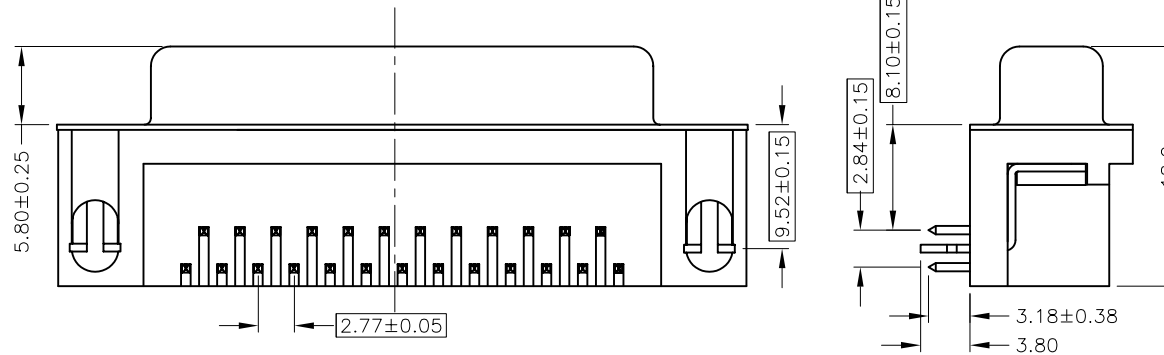
1. MATERIAL

- 1.1 Insulator: PBT+30%Glass Fiber (UL94V-0)
- 1.2 Contact: Brass
- 1.3 Contact Plated: Gold Plated
- 1.4 Shell: Steel, Nickel plated

2. SPECIFICATION

- 2.1 Current Rate: 5 Amps
- 2.2 Insulator Resistance: 1000MΩ Min. at 500V DC
- 2.3 Dielectric Strength: 500V AC Per minute
- 2.4 Operation Temperature: -55°C to +105°C
- 2.5 Contact Resistance: 30mΩ Max

3. 重點尺寸標示 [X X]



P.C.B. LAYOUT

RoHS Compliant

TOLERANCES ARE

**MORETHANALL**  
PCB CONNECTORS  
Cable ASSEMBLIES

DRAWING BY CY

X. ±

CHECKED BY GENIUS

.X ± 0.50

UNIT / mm

SCALE 1 : 1

.XX ± 0.30

DATE

.XXX ±

ANG ±

SIZE A4

P PROJECTION

照片框

ORDER INFORMATION

DR-SGN-25-LF  
SERIES | LEADFREE  
25 WAY  
NUT  
FULL GOLD  
FEMALE

煜倫股份有限公司

www.morethanall.com

DESCRIPTION: DR25母鉚全金黑 8.1 簡易型