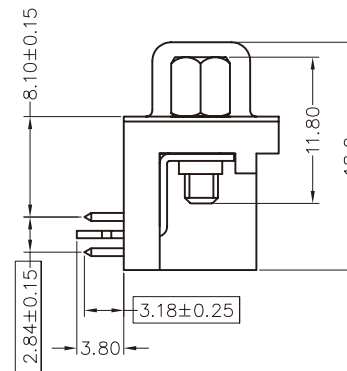
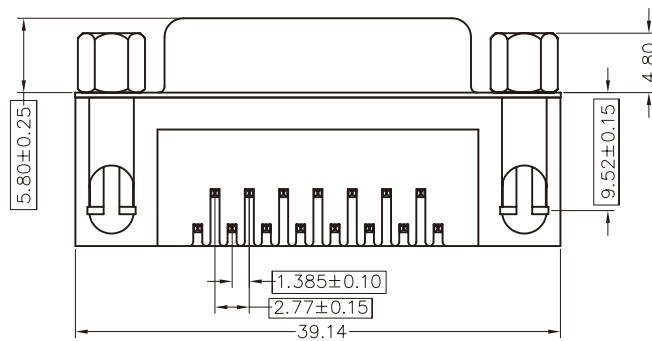
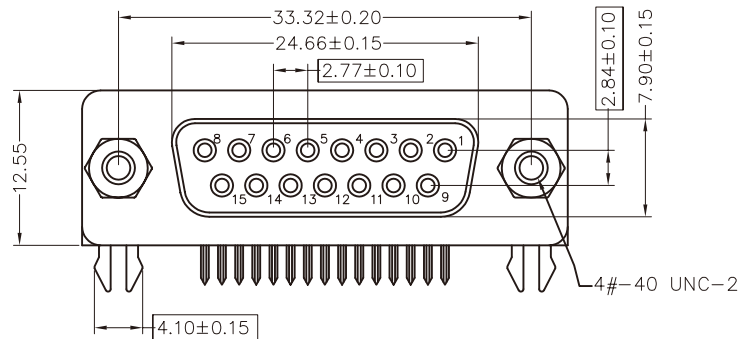


P.C.B. LAYOUT



NOTES:

1.MATERIAL

- 1.1 Insulator: PBT+30%Glass Fiber (UL94V-0)
- 1.2 Contact: Brass 0.64T Gold Plated
- 1.3 Contact: Gold Plated
- 1.4 Shell: Steel, Nickel Plated  $\Delta$
- 1.5 Screw, Z Shape Brass Tin Plated  $\Delta$

2.SPECIFICATION

- 2.1 Current Rate: 5 Amps
- 2.2 Insulator Resistance: 1000M $\Omega$  Min. at 500V DC
- 2.3 Dielectric Strength: 1000V Per minute
- 2.4 Operation Temperature: -55 $^{\circ}$ C to +105 $^{\circ}$ C

RoHS Compliant

TOLERANCES ARE

**MORETHANALL**  
PCB CONNECTORS  
Cable ASSEMBLIES

DRAWING BY CY

CHECKED BY GENIUS

UNIT / mm

SCALE 1 : 1

DATE

SIZE A4

X.  $\pm$   
.X  $\pm$   
.XX  $\pm$   
.XXX  $\pm$   
ANG  $\pm$

P PROJECTION

照片框

ORDER INFORMATION

DR-SG-15-LF  
SERIES | LEADFREE  
15 WAY  
FULL GOLD  
FEMALE

煜倫股份有限公司

www.morethanall.com

DESCRIPTION: DR15母叉鎖全金黑 8.1 RoHS