

P.C.B. LAYOUT

NOTES:

1.MATERIAL

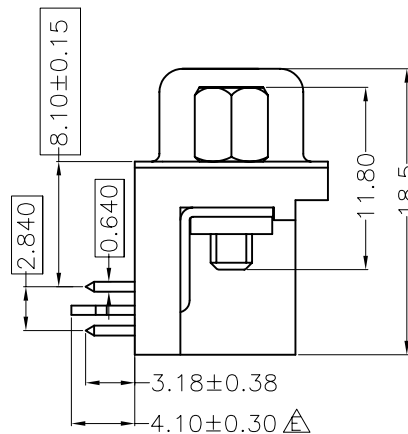
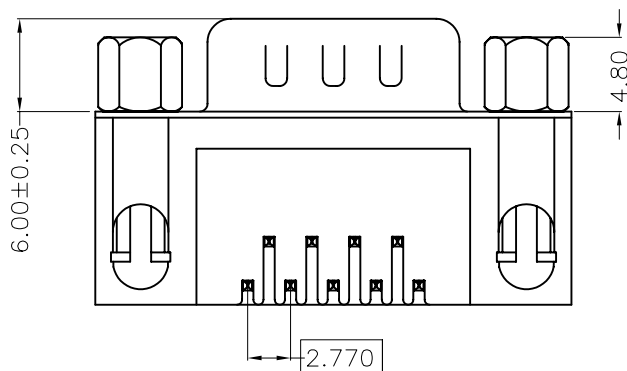
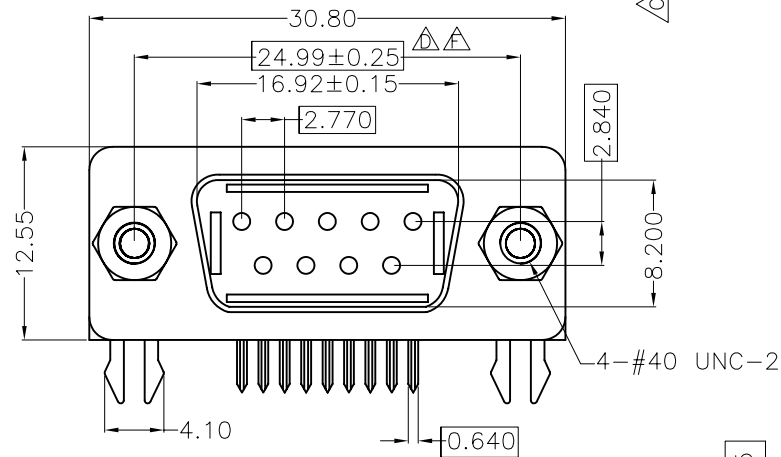
- 1.1 Insulator:PBT+30%Glass Fiber (UL94V-0)
- 1.2 Contact:Brass
- 1.3 Contact Plated:Gold/TIN PLATED
- 1.4 Shell:Steel,Nickel Plated
- 1.5 Screw:Brass, Nickel Plated

2.SPECIFICATION

- 2.1 Current Rate:5 Amps
- 2.2 Insulator Resistance:1000MΩ Min. at 500V DC
- 2.3 Dielectric Strength:1000V Per minute
- 2.4 Operation Temperature:-55°C to+105°C

備注：重點尺寸標示[X X]

DR-PxNJ-09-LF
LEADFREE
S:SEMI/GOLD
G:FULL/GOLD
RoHS Compliant



MORETHANALL
CONNECTORS
ASSEMBLIES

PART NO. DR-PxNJ-09

DWG NO. DR-PxNJ-09

FILE NO.

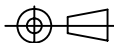
UNIT / mm

SCALE 1:1

CHECKED BY CY

DRAWING BY

PROJECTION



TOLERANCES ARE

.X ± 0.2
.XX ±
.XXX ±
AWG

DESCRIP TION:

DR9公叉鉚鎖半金/全金 8.1

AREA

REVISIONS

HK

DATE

煜倫股份有限公司