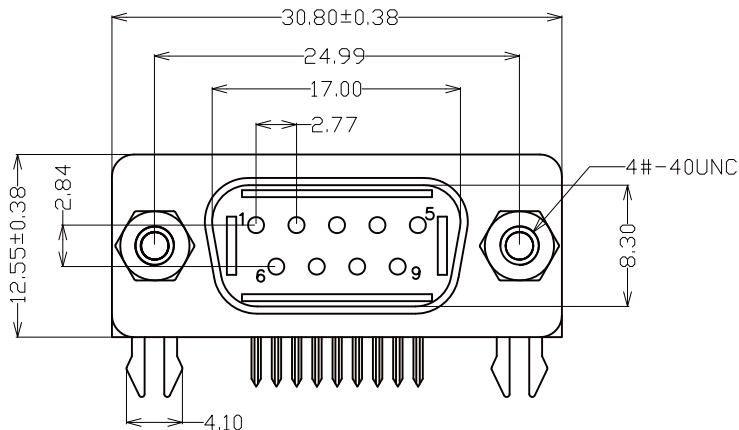


P.C.B. LAYOUT (TOLERANCE ± 0.05)

TOP VIEW



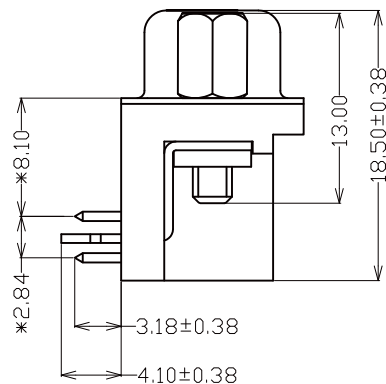
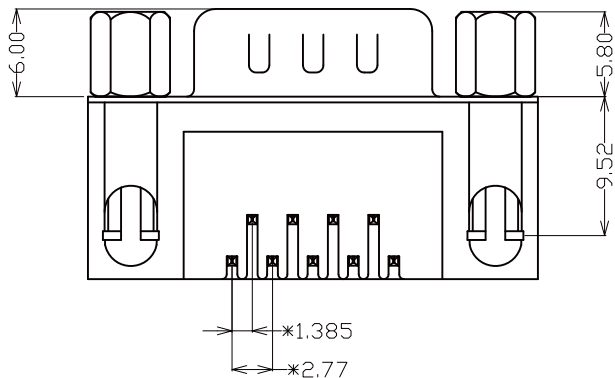
NOTES:

1.MATERIAL

- 1.1 Insulator:PBT+30%Glass Fiber
- 1.2 Contact: Brass
- 1.3 Contact Plated:Gold/TIN PLATED
- 1.4 Shell:Steel,Nickel Plated
- 1.5 Screw:Brass, Nickel Plated

2.SPECIFICATION

- 2.1 Current Rate:5 Amps
- 2.2 Insulator Resistance:1000M Min. at 500V DC
- 2.3 Dielectric Strength:1000V Per minute
- 2.4 Operation Temperature:-55°C to+105°C



MORETHANALL
PCB CONNECTORS
Cable ASSEMBLIES

煜倫股份有限公司

www.morethanall.com

RoHS Compliant

DRAWING BY CY

CHECKED BY GENIUS

UNIT/mm

SCALE 1:1

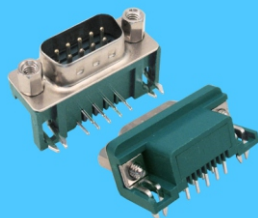
DATE

SIZE A4

PJECTION

TOLERANCES ARE

X. \pm
.X \pm 0.38
.XX \pm 0.25
.XXX \pm 0.15
ANG \pm



ORDER INFORMATION

DR-PSNJ6GR-09-LF
SERIES | LEADFREE
09WAY
GREEN
MALE | JACKSCRW 6mm
NUT
SEMI GOLD

DESCRIPTION: DR9公叉鉚鎖半金 8.1鎖螺絲5.8*13.0RoHS