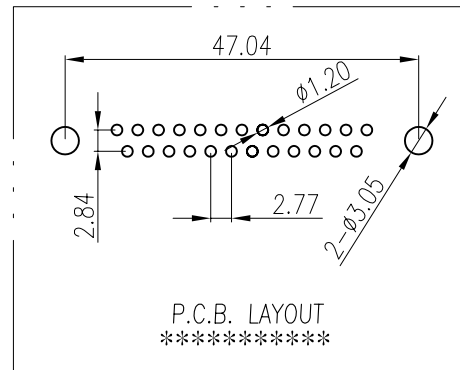
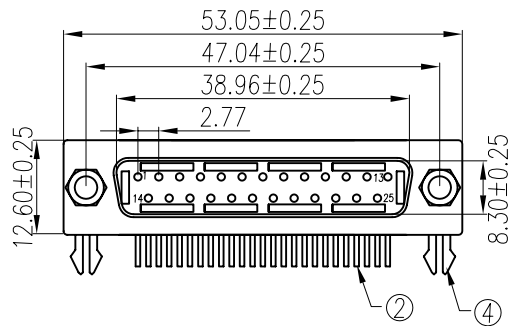
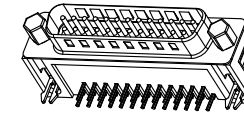


Note:

Specification:

1. Current rating: 1 A Max.
2. Dielectric withstanding voltage: 500 V(ac) for 1 minute.
3. Contact resistance: 30 mW Max.
4. Insulation resistance: 1000 MW Min at DC 500V.
5. Mating force: 7.5 Kgf Max.
6. Unmating force: 2.7 Kgf Min.
7. Temperature range: -55°C~+105°C



6	Screw	2	Brass	4.75*11.80mm	80u"min. Nickel Plated
5	Rivated	2	Brass	5.4*5.1mm	80u"min. Nickel Plated
4	"Z" type board-lock	2	Brass	T=0.50mm	80u"min. Tin Plated
3	Front-shell	1	Cold rolled steel	T=0.40mm	80u"min. Nickel Plated
2	Contact	25	Brass	T=0.20mm	Contact area:0.8u"min. Gold Plated over 40u"Nickel min. Solder area:80u"min. Tin Plated over 40u"Nickel min. (All Gold)
1	Housing	2	P.B.T	UL 94-V0	Black/Blue/White
No.	Name	Q'ty	Material	Remarks & Thickness	Finish

RoHS Compliant

TOLERANCES ARE

MORETHANALL
PCB CONNECTORS
Cable ASSEMBLIES

DRAWING BY CY

CHECKED BY GENIUS

UNIT / mm

SCALE 1 : 1

DATE

SIZE A4

X, ±
.X ± 0.30
.XX ± 0.20
.XXX ± 0.10
ANG ± 1°

PPOJECTION

照片框

ORDER INFORMATION

DR-PSNJ-25-LF
SERIES | LEADFREE
| 25 WAY
| JACKSCRW
| NUT
| SEMI GOLD
| MALE

DESCRIPTION: D-SUB RIGHT ANGLE P.C.B TYPE 25PIN(M) 鍍金

煜倫股份有限公司

www.morethanall.com