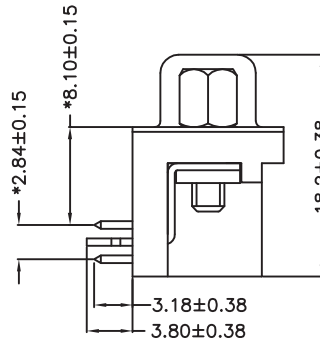
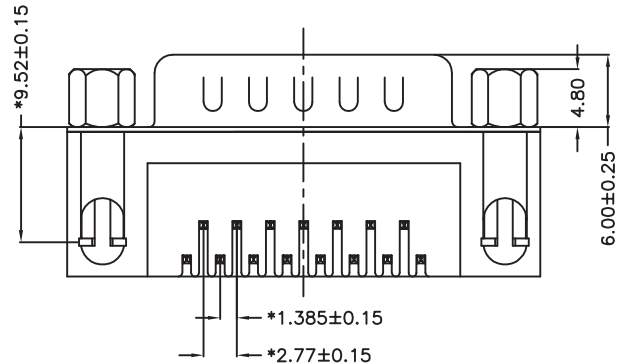
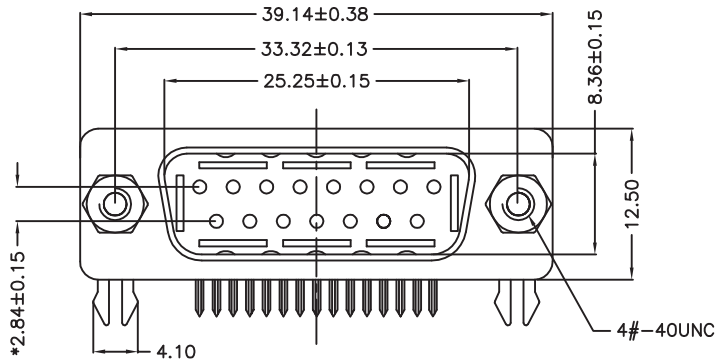


P.C.B. LAYOUT



NOTES:

1.MATERIAL

- 1.1 Insulator: PBT+30%Glass Fiber (UL94V-0)
- 1.2 Contact: Brass
- 1.3 Contact Plated: Gold/Tin Plated
- 1.4 Shell: Nickel Plated

2.SPECIFICATION

- 2.1 Current Rate: 5 Amps
- 2.2 Insulator Resistance: 1000M $\Omega$  Min.
- 2.3 Dielectric Strength: 500V AC Per minute
- 2.4 Operation Temperature: -55 $^{\circ}$ C to +105 $^{\circ}$ C
- 2.5 Contact Resistance: 30m $\Omega$  max

"\*"標示是重點管控尺寸

RoHS Compliant

TOLERANCES ARE

**MORETHANALL**  
PCB CONNECTORS  
Cable ASSEMBLIES

DRAWING BY CY

X.  $\pm$

CHECKED BY GENIUS

.X  $\pm$  0.50

UNIT / mm

SCALE 1 : 1

.XX  $\pm$  0.30

DATE

.XXX  $\pm$

ANG  $\pm$

SIZE A4

P PROJECTION

照片框

ORDER INFORMATION

DR-PSNJ-15-LF  
SERIES | LEADFREE  
| 15 WAY  
| JACKSCREW  
| NUT  
| SEMI GOLD  
| MALE

煜倫股份有限公司

www.morethanall.com

DESCRIPTION: DR15公叉鉚鎖半金黑 8.1