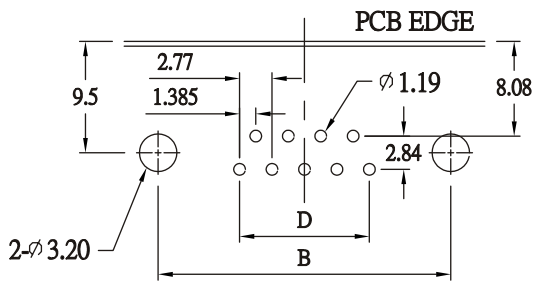
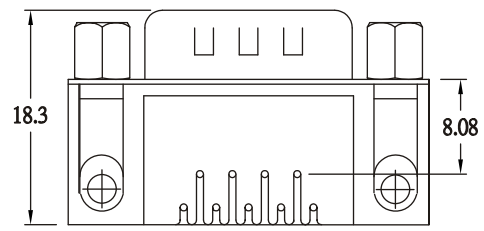
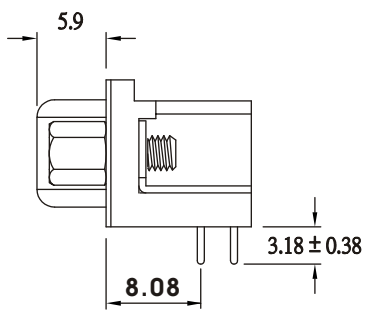
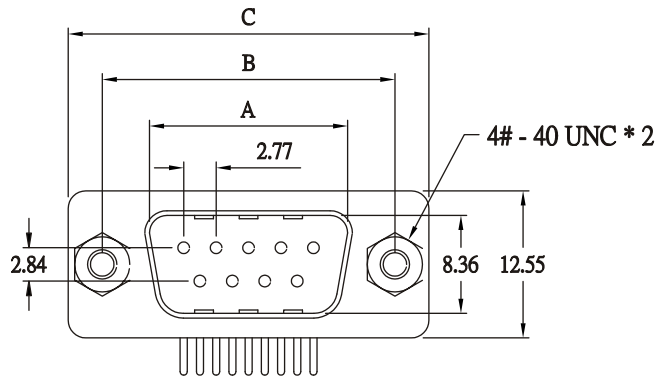


MATERIAL:

INSULATOR : PBT+30% GLASS FIBER (UL 94V-0) BLACK.
 CONTACT MATERIAL : BRASS.
 CONTACT FINISH : GOLD OVER NICKEL.
 SHELL FINISH : STEEL NICKEL PLATED.

SPECIFICATION:

CURRENT RATING : 5 AMP
 DIELECTRIC WITHSTANDING VOLTAGE : 1000V PER MINUTE.
 INSULATION RESISTANCE : 1000MΩ MIN. AT 500V DC.
 CONTACT RESISTANCE : 15mΩ MAX. 10 SES.
 OPERATING TEMPERATURE : -55°C ~ +105°C.



SHELL SIZE	Dim A1 ± 0.20	Dim B ± 0.25	Dim C ± 0.38	Dim D
09 pin	16.92	24.99	30.80	11.08
15 pin	25.25	33.32	39.10	19.39
25 pin	38.96	47.04	53.00	33.24
37 pin	55.42	63.50	69.32	49.86



PART NO. DR-PSL-xx
 DWG NO. DR-PSL-xx
 FILE NO.
 UNIT / mm SCALE 1:1

CHECKED BY CY
 DRAWING BY
 PROJECTION

TOLERANCES ARE
 .X ± 0.2
 .XX ±
 .XXX ±
 AWG

DESCRIP TION:
 AREA REVISIONS HK DATE

煜倫股份有限公司