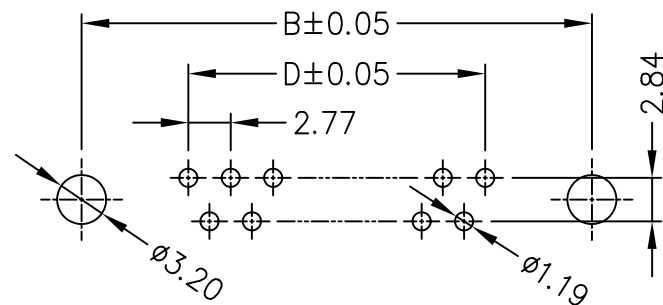
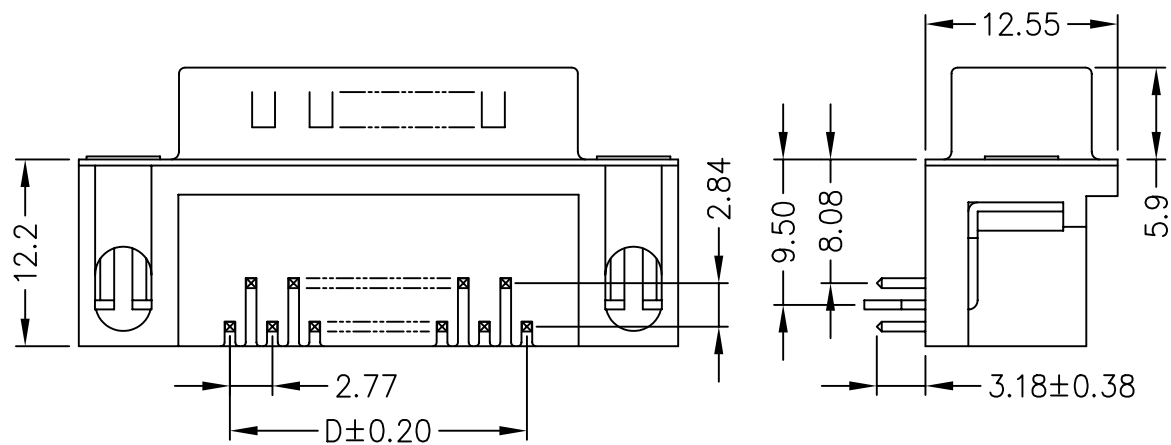


Material:

1. Insulator: PBT+30% Glass Fiber(Meet UL94V-0).
2. Contact: Copper Alloy.
3. Contact Plated: Selective Gold over Nickel Plated.
4. Shell: Steel with Nickel or Tin or Zinc Plated.

Specification:

1. Current Rating: 5 Amps.
2. Withstanding Voltage: AC 500V for 1 Minute.
3. Insulation Resistance: 1000MΩ Min. at DC 500V.
4. Contact Resistance: 15mΩ Max..
5. Operating Temperature: -40°C~+105°C.



Recommend P.C.B. Layout

| No. of Contacts | Dim. A | Dim. B | Dim. C | Dim. D |
|-----------------|--------|--------|--------|--------|
| DR-PN-09 | 16.92 | 24.99 | 30.81 | 11.08 |
| DR-PN-15 | 25.25 | 33.32 | 39.14 | 19.39 |
| DR-PN-25 | 38.96 | 47.04 | 53.04 | 33.24 |
| DR-PN-37 | 55.42 | 63.50 | 69.32 | 49.86 |

MORETHANALL
CONNECTORS
ASSEMBLIES

PART NO. DR-PN-xx

DWG NO. DR-PN-xx

FILE NO. DR001

UNIT / mm

SCALE 1:1

CHECKED BY CY

DRAWING BY

PROJECTION

TOLERANCES ARE

.X ± 0.3
.XX ± 0.15
.XXX
AWG

DESCRIPTION:

D-SUB RIGHT ANGLE MALE CONNECTOR
8.08mm WITH RIVET TYPE

AREA

REVISIONS

HK

DATE

焜倫有限公司