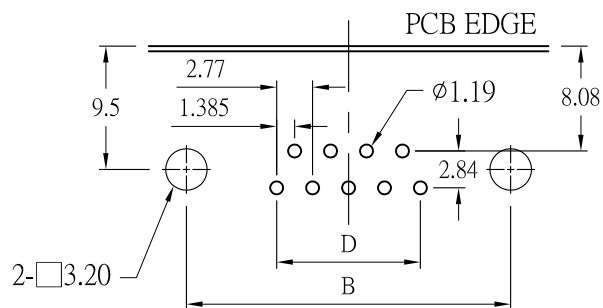
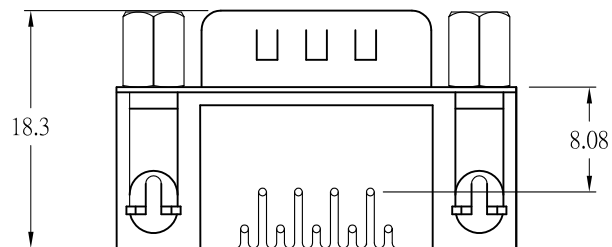
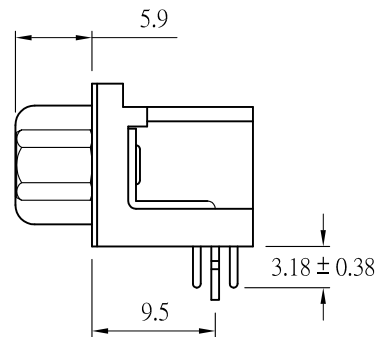
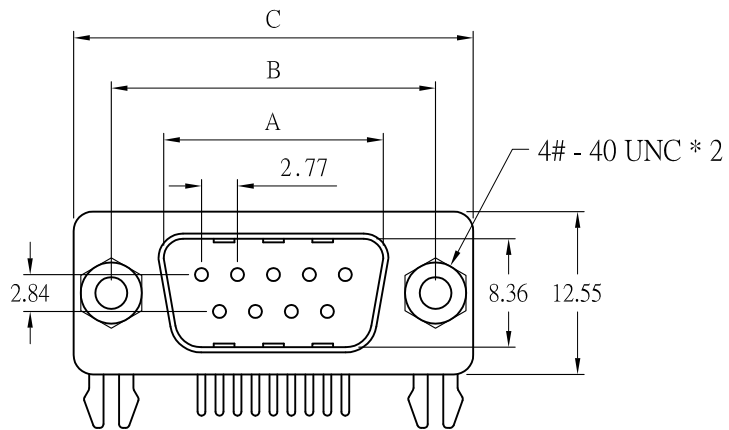


1 2 3 4 5 6 7 8 9 0

J
I
H
G
F
E
D
C
B
A



MATERIAL:

INSULATOR : PBT+30% GLASS FIBER (UL 94V-0),BLACK.
 CONTACT MATERIAL : BRASS.
 CONTACT FINISH : GOLD OVER NICKEL.
 SHELL FINISH : STEEL NICKEL PLATED.

SPECIFICATION:

CURRENT RATING : 5 AMP
 DIELECTRIC WITHSTANDING VOLTAGE : 1000V PER MINUTE.
 INSULATION RESISTANCE : 1000MΩ MIN. AT 500V DC.
 CONTACT RESISTANCE : 15mΩ MAX. 10 SEC.
 OPERATING TEMPERATURE : -55°C ~ +105°C.

SHELL SIZE	Dim A ± 0.20	Dim B ± 0.25	Dim C ± 0.38	Dim D
09 pin	16.92	24.99	30.80	11.08
15 pin	25.25	33.32	39.10	19.39
25 pin	38.96	47.04	53.00	33.24
37 pin	55.42	63.50	69.32	49.86

MORE THAN ALL
 CONNECTORS
 ASSEMBLIES

煜倫有限公司

PART NO. DR-PJ-xx

DWG NO. DR-PJ-xx

FILE NO.

UNIT / mm

SCALE 1:1

APPROVED BY CY

DRAWING BY

PROJECTION

TOLERANCES ARE

X.X ± 0.25
 X.XX ± 0.15
 X.XXX ± 0.05

DESCRIPTION: D-SUB CONN. RIGHT ANGLE ,
 MALE FOOTPRINT : 8.08mm

AREA	REVISIONS	HK	DATE