

P.C.B. LAYOUT

NOTES:

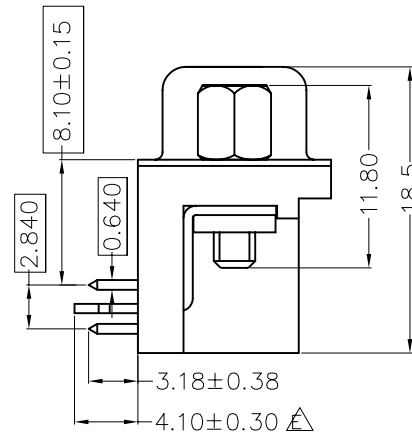
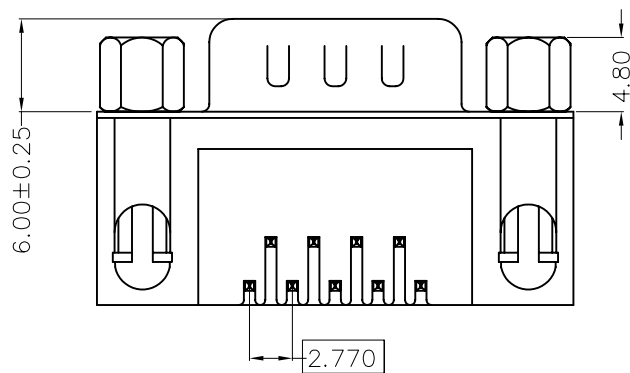
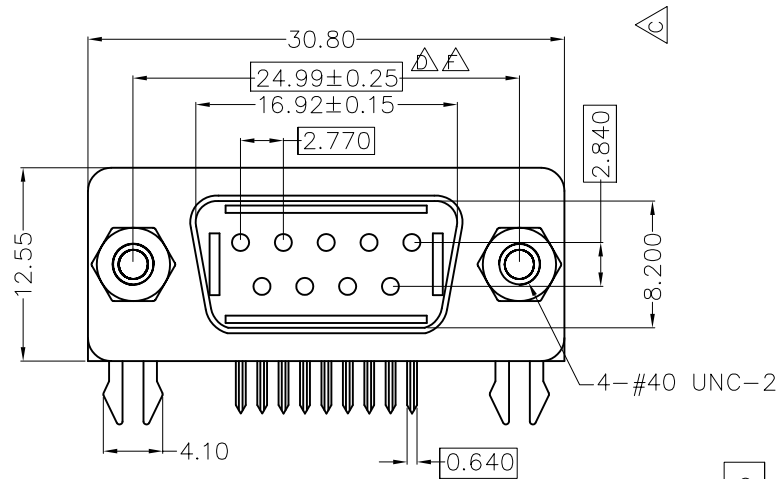
1.MATERIAL

- 1.1 Insulator: PBT+30%Glass Fiber(UL94V-0)
- 1.2 Contact: Brass
- 1.3 Contact Plated: Gold/TIN PLATED
- 1.4 Shell: Steel, Nickel Plated
- 1.5 Screw: Brass, Nickel Plated

2.SPECIFICATION

- 2.1 Current Rate: 5 Amps
- 2.2 Insulator Resistance: 1000MΩ Min. at 500V DC
- 2.3 Dielectric Strength: 1000V Per minute
- 2.4 Operation Temperature: -55°C to +105°C

備注：重點尺寸標示 [XX]



RoHS Compliant

TOLERANCES ARE

**MORETHANALL**  
PCB CONNECTORS  
Cable ASSEMBLIES

DRAWING BY CY

X.±

CHECKED BY GENIUS

.X±

UNIT / mm

SCALE 1 : 1

.XX±

DATE

.XXX±

ANG±

煜倫股份有限公司

www.morethanall.com

SIZE A4

P PROJECTION

照片框

ORDER INFORMATION

DR-PGNJ-09-LF  
SERIES | LEADFREE  
| 09 WAY  
| JACK SCREW  
| NUT  
| FULL GOLD  
| MALE

DESCRIPTION: DR9公叉鉚鎖半金 8.1