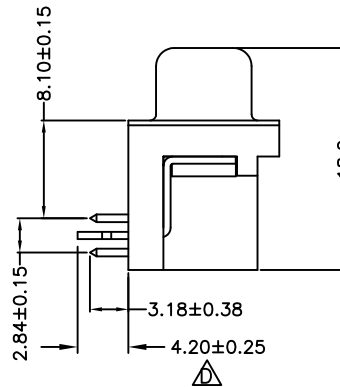
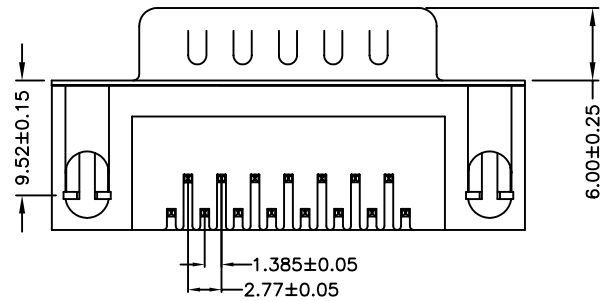
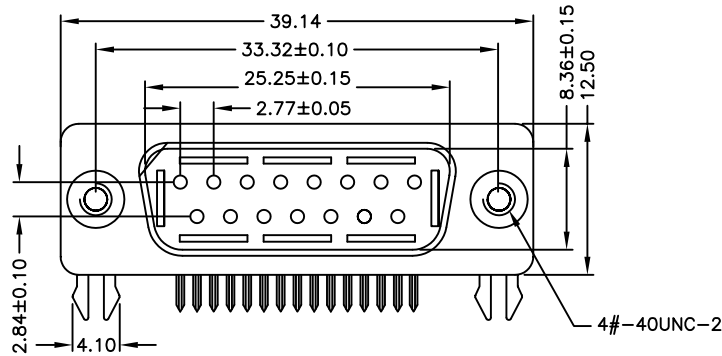


P.C.B. LAYOUT



NOTES:

1.MATERIAL

- 1.1 Insulator: PBT+30%Glass Fiber (UL94V-0)
- 1.2 Contact: Brass
- 1.3 Contact Plated: Gold Plated
- 1.4 Shell: Nickel Plated

2.SPECIFICATION

- 2.1 Current Rate: 5 Amps
- 2.2 Insulator Resistance: 1000MΩ Min. at 500V DC
- 2.3 Dielectric Strength: 1000V Per minute
- 2.4 Operation Temperature: -55°C to +105°C

RoHS Compliant

TOLERANCES ARE

**MORETHANALL**  
PCB CONNECTORS  
Cable ASSEMBLIES

DRAWING BY CY

CHECKED BY GENIUS

UNIT / mm

SCALE 1 : 1

DATE

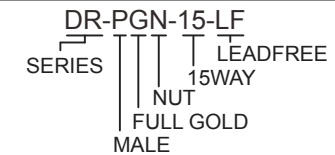
SIZE A4

X. ±  
.X ±  
.XX ±  
.XXX ±  
ANG ±

PJECTION

照片框

ORDER INFORMATION



DESCRIPTION: DR15公鍍全金黑 8.1 RoHS

煜倫股份有限公司

www.morethanall.com