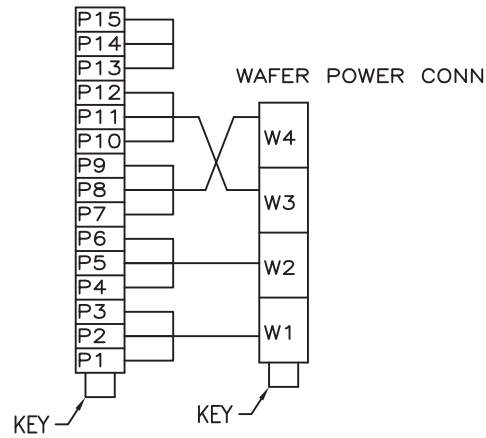
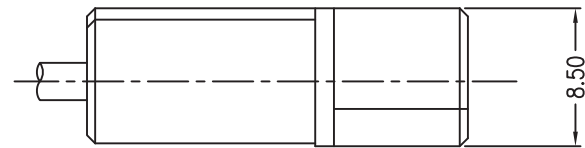
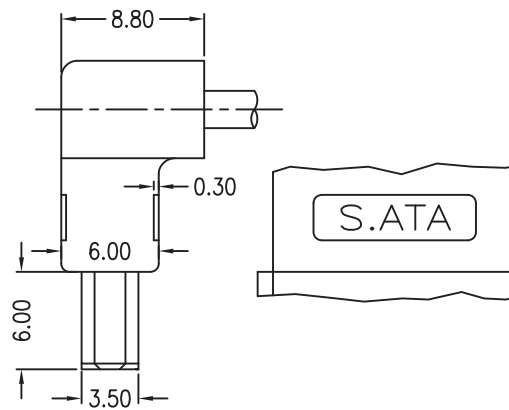
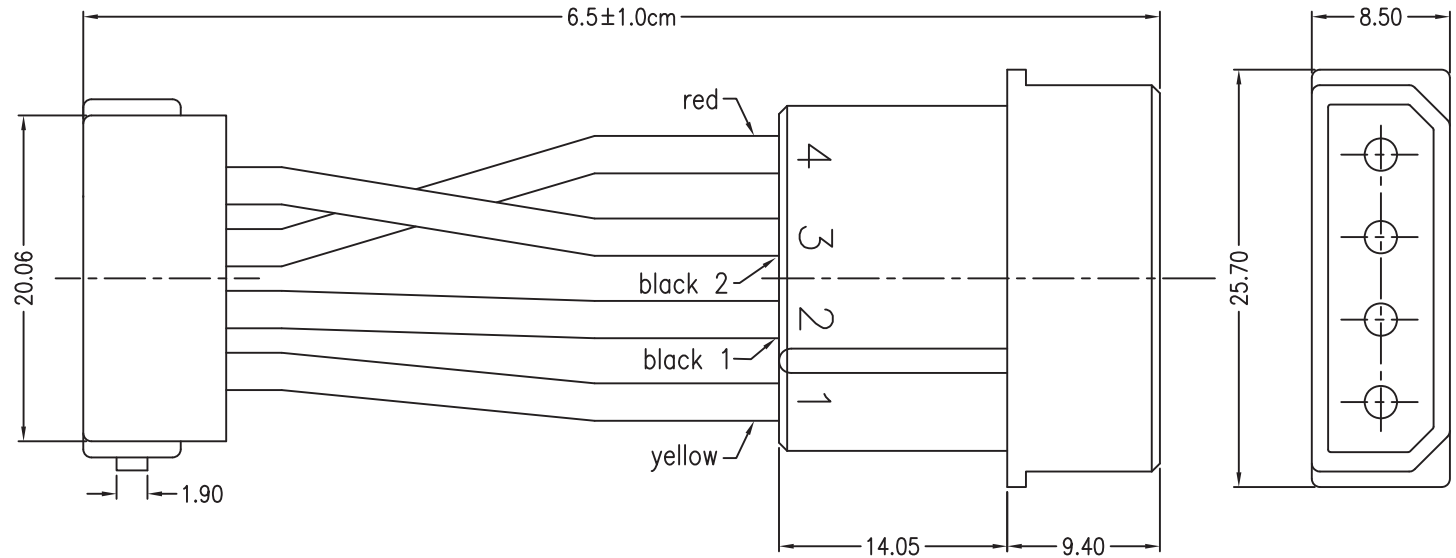


SATA RECEPTACLE
POWER CONN



CIRCUIT DIAGRAMED



1. MATERIALS

- . CABLE: 20 AWG (BLACK X2, YELLOW X1, RED X1)
- . CONNECTOR: 1. SERIAL ATA RECEPTACLE CONN.
2. 4 PIN POWER CONN.

RoHS Compliant

TOLERANCES ARE

MORETHANALL
PCB CONNECTORS
Cable ASSEMBLIES

煜倫股份有限公司

www.morethanall.com

DRAWING BY CY

CHECKED BY GENIUS

UNIT / mm SCALE 1 : 1

DATE

SIZE A4

X.±

.X±

.XX±

.XXX±

ANG±

PJECTION

照片框

ORDER INFORMATION

DPSA-0415R20-E6C5-LF

SERIES	LEADFREE
	65mm
	MALE TO FEMALE
	20 AWG
	04P TO 15P 90°

DESCRIPTION: SERIES ATA POWER CABLE RIGHT