

Features:

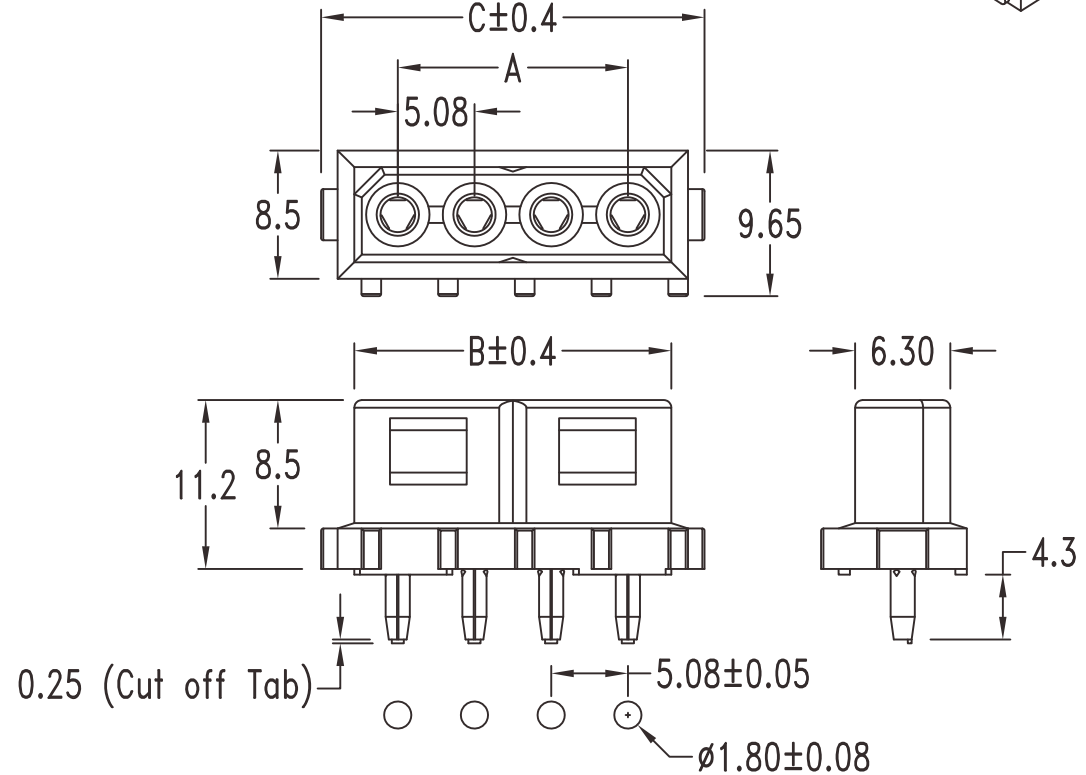
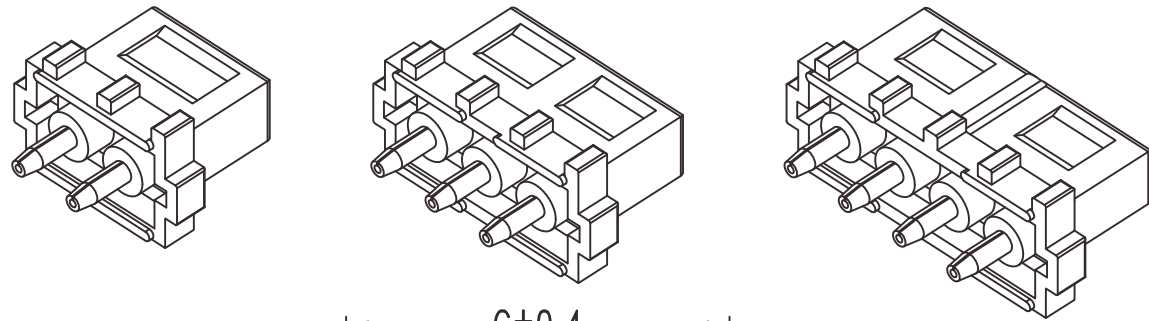
- 2 ~ 4 circuits available
- Plastic material: UL 94V-2 nylon
- Pin material: Tin-plated phosphor bronze

Specification:

- Current rating: 7A Max.
- Voltage rating: 250V AC, 175V DC
- Dielectric withstanding voltage: 1500V AC/minute
- Ambient temperature range: -40°C ~ 105°C
- Operating temperature : -30°C ~ 85°C

Dimensional Information (mm)

Circuits	Dim. A	Dim. B	Dim. C
2	5.08	10.84	15.24
3	10.16	15.92	20.32
4	15.24	21.00	25.40



P. C. board hole dimensions

RoHS Compliant

TOLERANCES ARE

MORETHANALL
PCB CONNECTORS
Cable ASSEMBLIES

DRAWING BY CY

X, ±
.X ± 0.40
.XX ± 0.25
.XXX ± 0.08
ANG ±

CHECKED BY GENIUS

UNIT / mm SCALE 1 : 1

DATE

SIZE A4

P PROJECTION

照片框

ORDER INFORMATION

DP-SD-xx-LF
SERIES | LEADFREE
| 02-04WAY
| DIP 180°
| FEMALE

煜倫股份有限公司

www.morethanall.com

DESCRIPTION: