

Features:

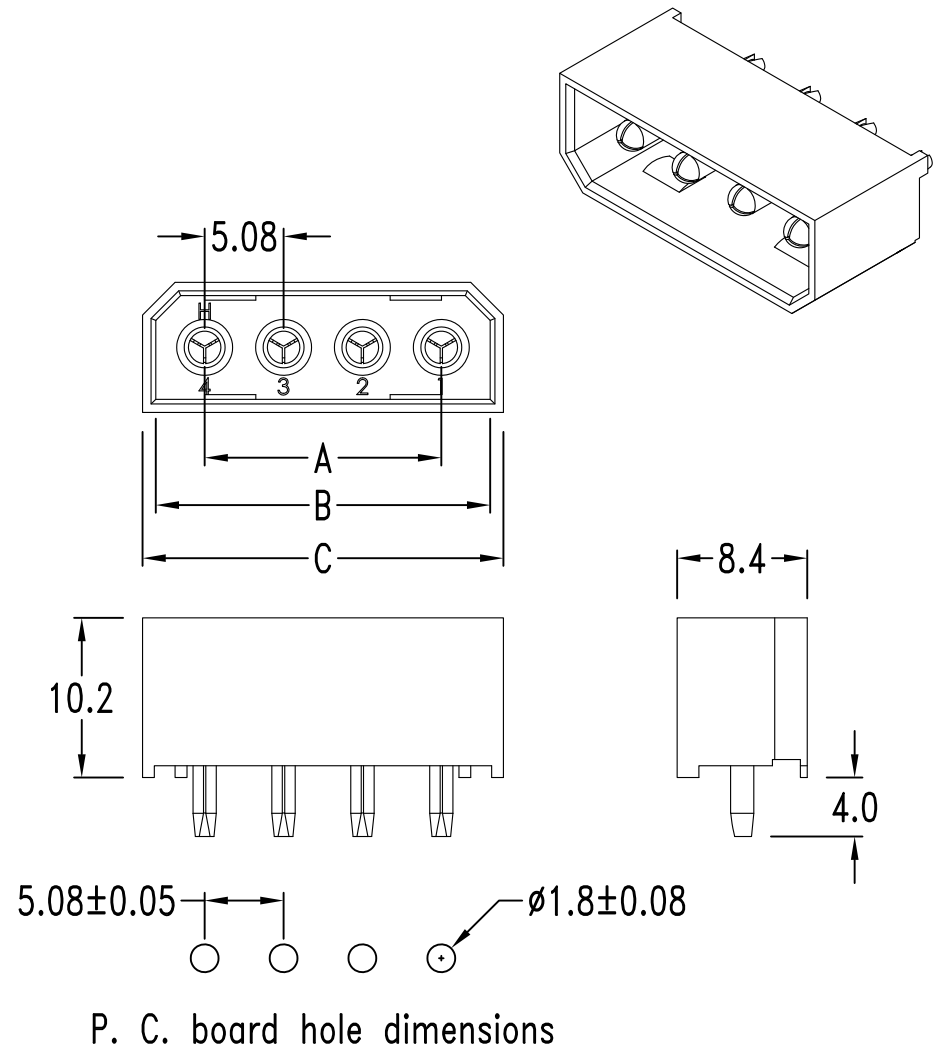
- 2 ~ 4 circuits available
- Plastic material: UL 94V-2 nylon 66
- Pin material: Tin-plated brass

Specification:

- Current rating: 10A
- Voltage rating: 250V AC
- Dielectric withstanding voltage: 1500V AC/minute
- Ambient temperature range: -25°C ~ 85°C

Dimensional Information (mm)

Circuits	Dim. A	Dim. B	Dim. C
4	15.24	21.70	23.40



RoHS Compliant

TOLERANCES ARE

MORETHANALL
PCB CONNECTORS
Cable ASSEMBLIES

DRAWING BY CY

X, ±

CHECKED BY GENIUS

.X ± 0.40

UNIT / mm

SCALE 1 : 1

.XX ± 0.25

.XXX ± 0.10

ANG ±

DATE

SIZE A4

PPOJECTION

照片框

ORDER INFORMATION

DP-PDX-04-LF
SERIES | LEADFREE
| 04WAY
| NON RIB
| DIP 180°
MALE

煜倫股份有限公司

www.morethanall.com

DESCRIPTION: