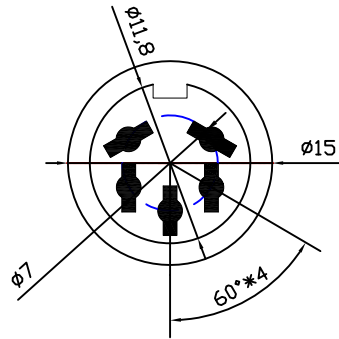
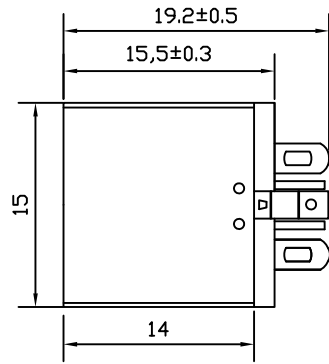
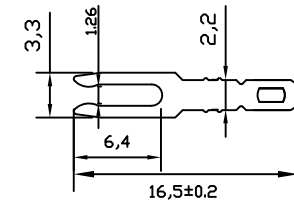


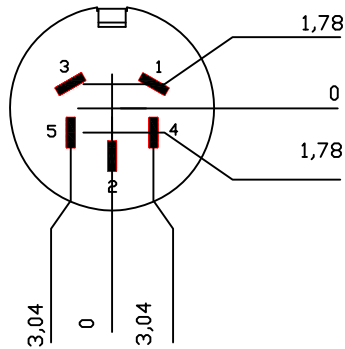
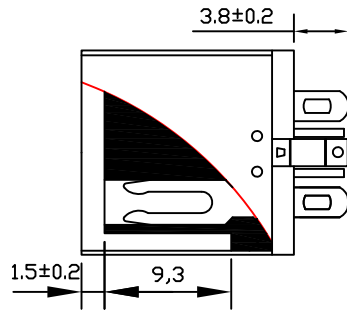
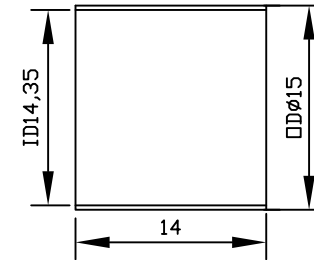
对插面视图



0.5厚-母端



铜管



材质要求:

1. H65黄铜管厚度0.325*14*15mm 镀镍100u
2. 主体塑胶:黑P.B.T加纤25% (熔点210度)
3. 母端0.5厚, H62黄铜端子镀易上锡镍100u
4. 塑胶不能有毛刺, 铜管不能有电镀不良刮伤
5. 插拔力2.8±1公斤

焊面视图

RoHS Compliant

TOLERANCES ARE

MORETHANALL
PCB CONNECTORS
Cable ASSEMBLIES

DRAWING BY CY

CHECKED BY GENIUS

UNIT / mm

SCALE 1 : 1

DATE

SIZE A4

X. ±
.X ± 0.30
.XX ± 0.20
.XXX ± 0.10
ANG ±

P PROJECTION

照片框

ORDER INFORMATION

DM-S-05B-LF
SERIES | LEADFREE
05 WAY B TYPE
FEMALE

煜倫股份有限公司

www.morethanall.com

DESCRIPTION: 大 DIN 5P母240度+弹片