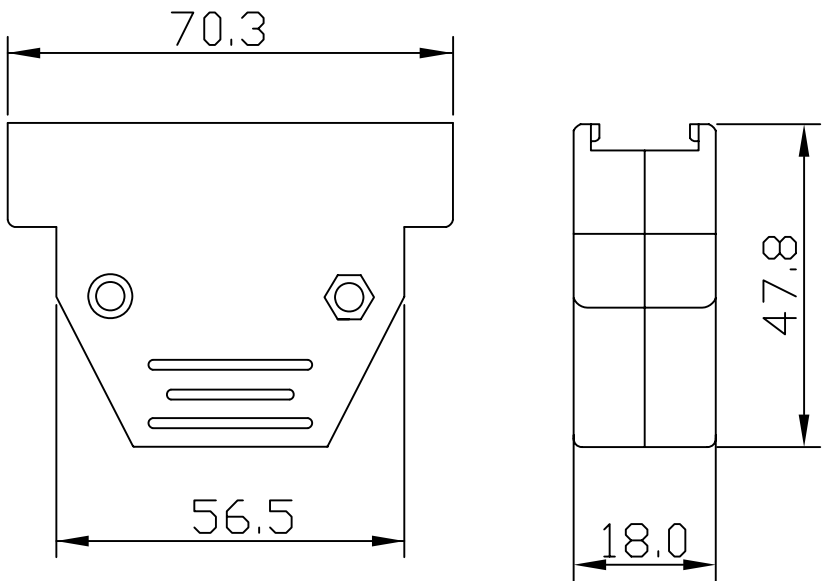


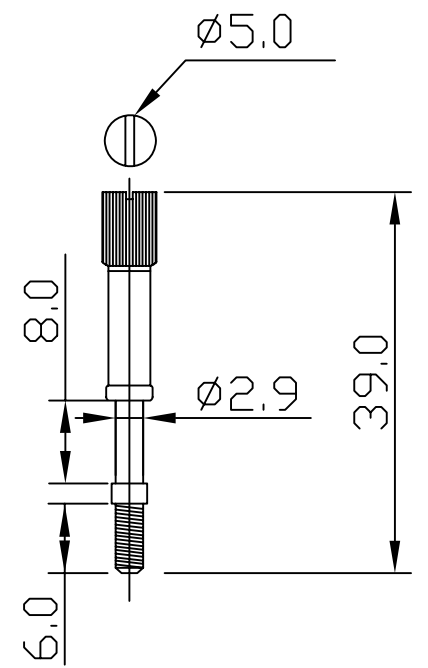
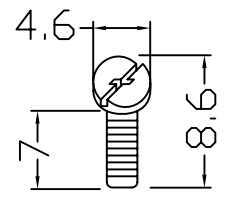
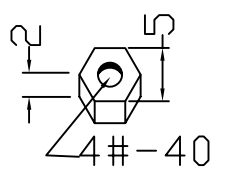
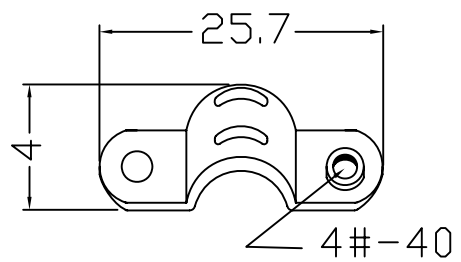
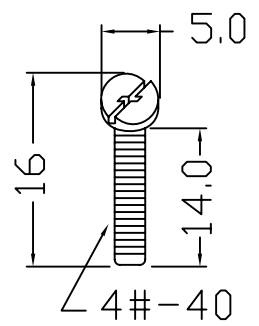
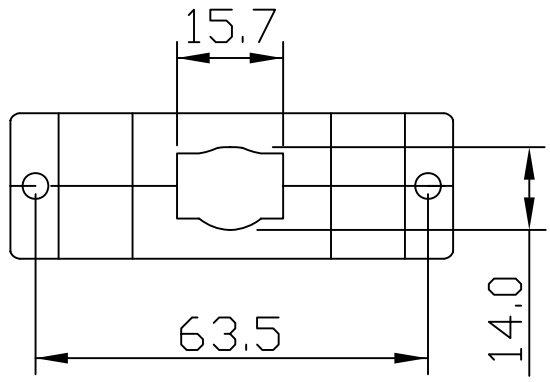
1 2 3 4 5 6 7 8 9 0

J  
I  
H  
G  
F  
E  
D  
C  
B  
A

MATERIAL  
 Hood:ABS UL 94HB  
 Screw:steel with Nickel plated  
 Cable Clipper:Steel with Nickel plated



DKH-K1-37-LF  
 RoHS Compliant LEADFREE



**MORETHANALL**  
 CONNECTORS  
 ASSEMBLIES

焯倫股份有限公司

PART NO. DKH-K1-37

DWG NO. DKH-K1-37

FILE NO.

UNIT / mm

SCALE 1:1

CHECKED BY CY

DRAWING BY

PROJECTION

TOLERANCES ARE

.X ± 0.2  
 .XX ±  
 .XXX ±  
 AWG

DESCRIP TION:			
AREA	REVISIONS	HK	DATE