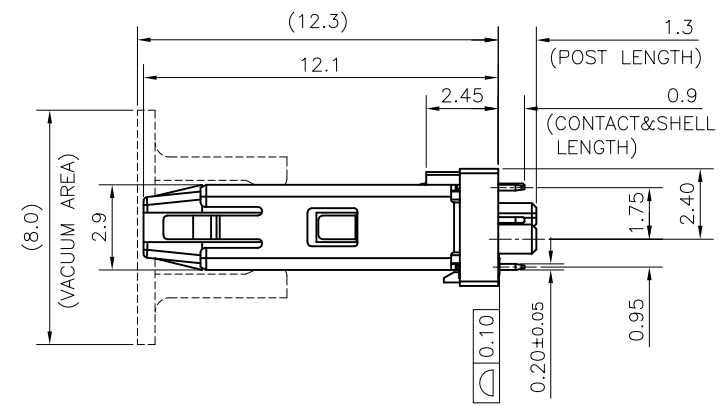
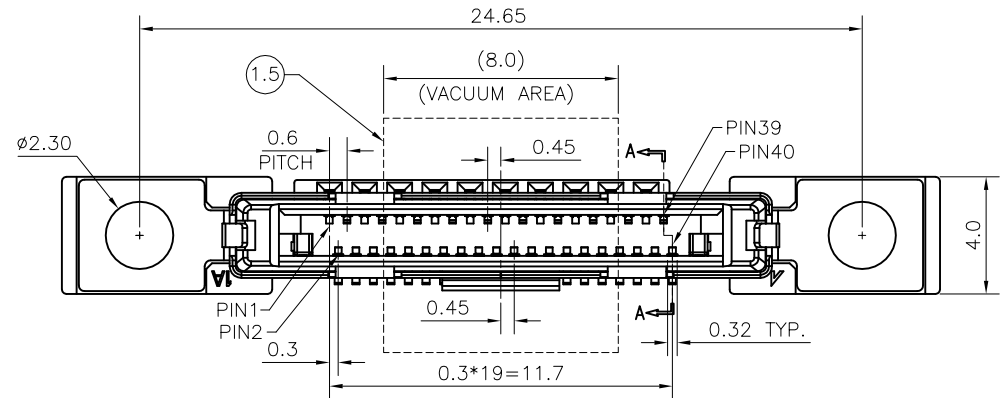


- NOTES:
- MATERIAL:
    - HOUSING: THERMOPLASTIC, HIGH TEMP., UL94V-0; COLOR:BLACK.
    - CONTACT: COPPER ALLOY
    - SHELL: STAINLESS STEEL
    - SPACER: THERMOPLASTIC, HIGH TEMP., UL94V-0; COLOR:BLACK.
    - CAP: THERMOPLASTIC, HIGH TEMP., UL94V-0; COLOR:BLACK.
  - FINISH:
    - CONTACT:
      - 50u" MIN. NICKEL PLATING OVERALL.
      - 80u" MIN. MATT TIN PLATING ON SOLDER TAIL.
      - 10u" MIN GOLD ON CONTACT AREA.
    - SHELL: 20u" MIN. NICKEL PLATING OVERALL



RoHS Compliant

TOLERANCES ARE

照片框

ORDER INFORMATION

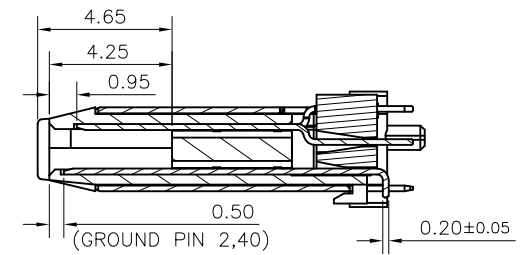
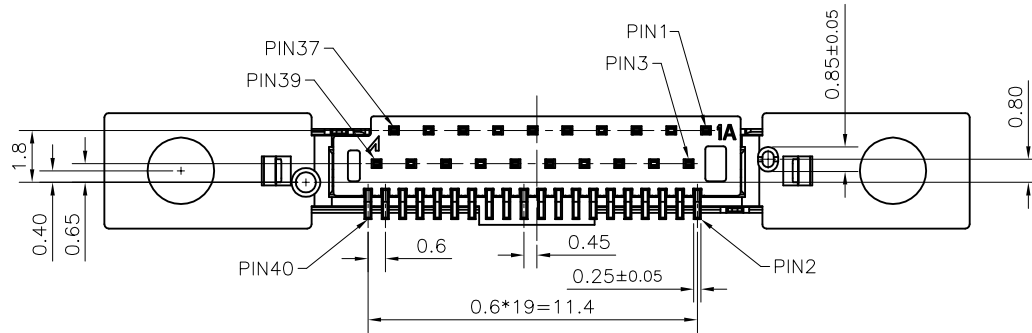
DKG06-PDVMPEC-040-LF

SERIES | | | | | LEADFREE  
 MALE | | | | | 40 WAY  
 180° DIP+SMT | | | | | CAP  
 | | | | | EAR  
 | | | | | POST  
 | | | | | METAL

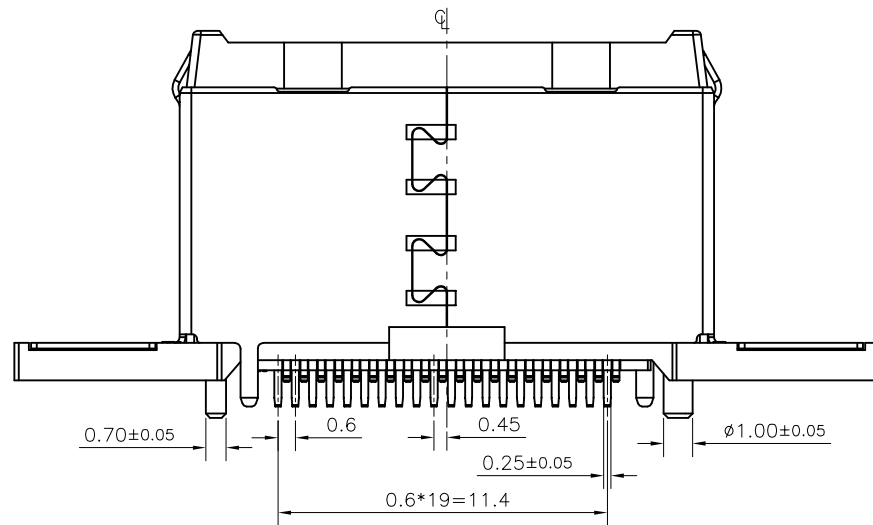
DESCRIPTION: 0.6mm PITCH DOCKING PLUG SMT,T/H,D/R,S/T TYPE

**MORETHANALL**  
 PCB CONNECTORS  
 Cable ASSEMBLIES  
 煜倫股份有限公司  
 www.morethanall.com

DRAWING BY CY		X. ± 0.50
CHECKED BY GENIUS		.X ± 0.25
UNIT / mm	SCALE 1 : 1	.XX ± 0.15
DATE		.XXX ± 0.10
SIZE A4	PPOJECTION	ANG ± 2°



SECTION A-A



RoHS Compliant

TOLERANCES ARE

**MORETHANALL**  
PCB CONNECTORS  
Cable ASSEMBLIES

煜倫股份有限公司

www.morethanall.com

DRAWING BY CY

CHECKED BY GENIUS

UNIT / mm

SCALE 1 : 1

DATE

SIZE A4

X ± 0.50

.X ± 0.25

.XX ± 0.15

.XXX ± 0.10

ANG ± 2°

PJECTION

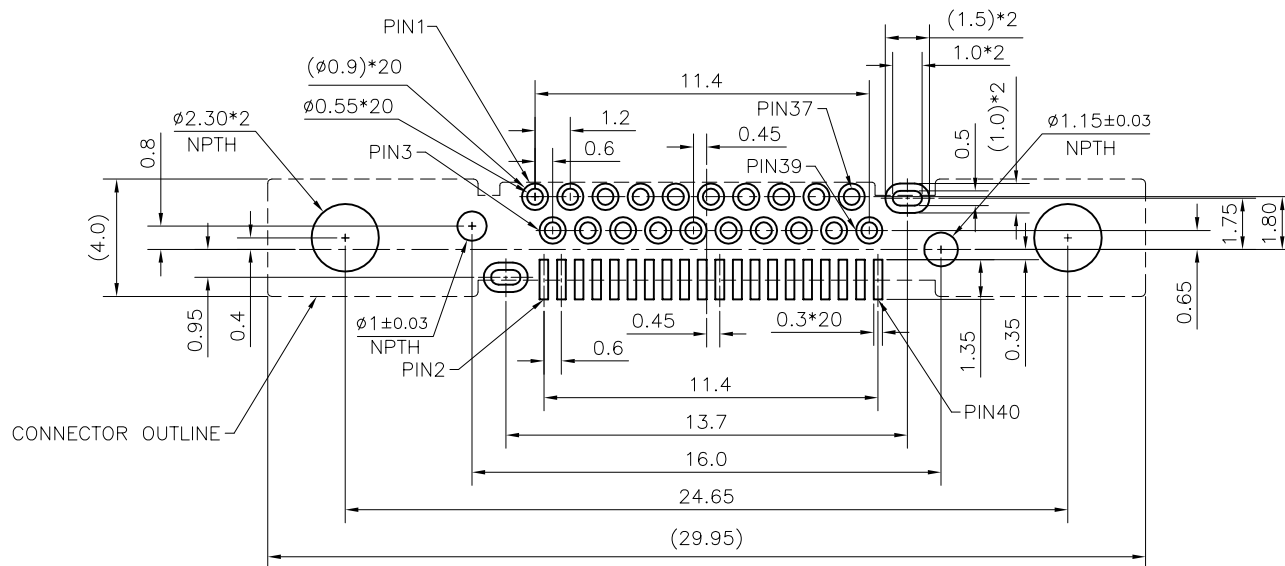
照片框

ORDER INFORMATION

DKG06-PDVMPEC-040-LF

SERIES	MALE	180° DIP+SMT	CAP	EAR	POST	METAL	LEADFREE	40 WAY
--------	------	--------------	-----	-----	------	-------	----------	--------

DESCRIPTION: 0.6mm PITCH DOCKING PLUG SMT,T/H,D/R,S/T TYPE



RECOMMENDED PCB LAYOUT(WITH NUT)  
 GENERAL TOLERANCE  $\pm 0.05$

**MORETHANALL**  
 PCB CONNECTORS  
 Cable ASSEMBLIES

煜倫股份有限公司

www.morethanall.com

RoHS Compliant

DRAWING BY CY  
 CHECKED BY GENIUS  
 UNIT / mm SCALE 1 : 1  
 DATE  
 SIZE A4

TOLERANCES ARE

X.  $\pm 0.50$   
 X.  $\pm 0.25$   
 .XX  $\pm 0.15$   
 .XXX  $\pm 0.10$   
 ANG  $\pm 2^\circ$

PJECTION

照片框

ORDER INFORMATION

DKG06-PDVMPEC-040-LF

SERIES | | | | | LEADFREE  
 MALE | | | | | 40 WAY  
 180° DIP+SMT | | | | | CAP  
 | | | | | EAR  
 | | | | | POST  
 | | | | | METAL

DESCRIPTION: 0.6mm PITCH DOCKING PLUG SMT,T/H,D/R,S/T TYPE