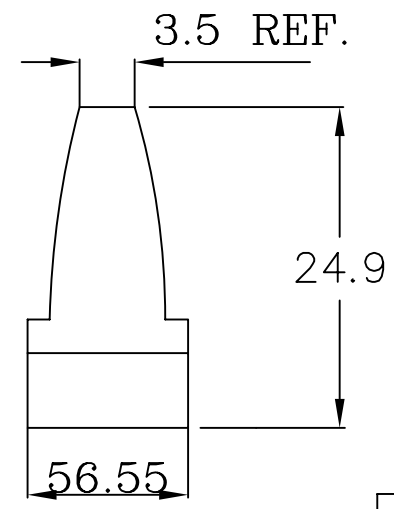
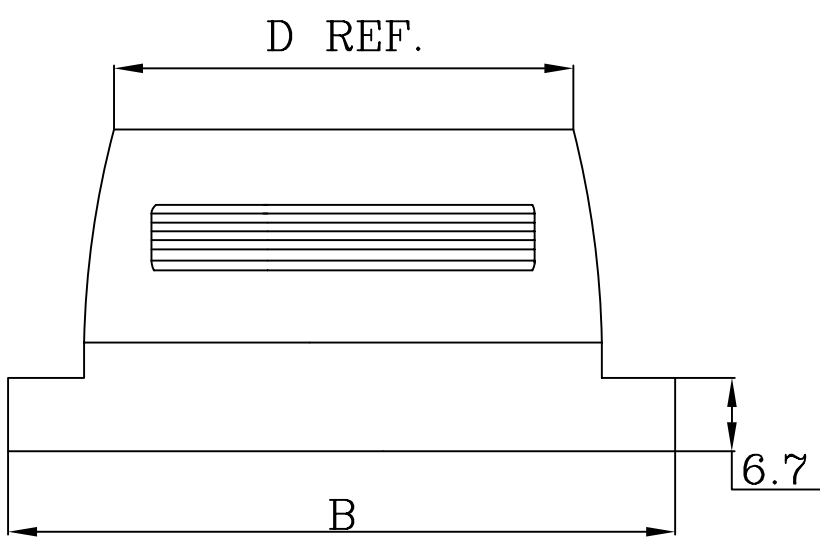


- 1.Series
- 2.Number of circuits
- 3.Color:black
- 4.Screw:
N: W/NUT

DKA-N-xxxx-LF
LEADFREE

0909: 9WAY/9 OUTLET
1515: 15WAY/15 OUTLET
2525: 25WAY/25 OUTLET



Circuits	Dimension			
	A	B	C	D
0909	25.0	32.4	12.5	13.5
1515	25.0	39.9	19.3	21.2
2525	25.0	53.4	33.2	35.2

MORETHANALL
CONNECTORS
ASSEMBLIES

煜倫股份有限公司

PART NO. DKA-N-xxxx
DWG NO. DKA-N-xxxx
FILE NO.
UNIT / mm SCALE 1:1

CHECKED BY CY
DRAWING BY
PROJECTION

TOLERANCES ARE
.X ± 0.2
.XX ±
.XXX ±
AWG

DESCRIPTION:
AREA REVISIONS HK DATE