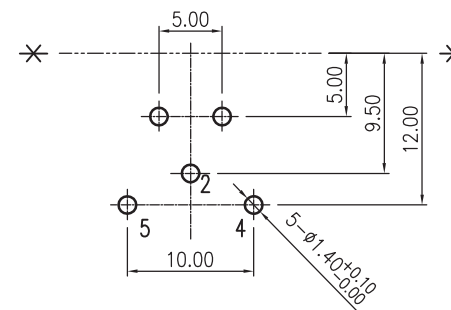
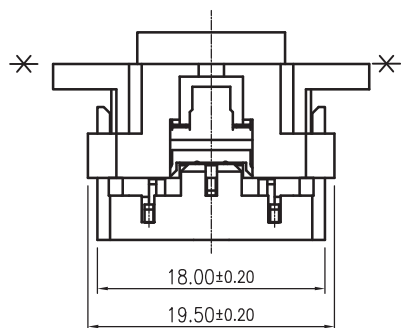


PIN LAYOUT (TO INSERT PLUG)
HOLE #1 AND #3 WITHOUT PIN



P.C.B Layout Dimension(Tolerance:±0.1)
(Recommend min. Dimension)(Bottom View)



△ 6	TIP SPRING	1	C5210R-EH	t=0.20	MBCu2μm-Sn3μm min.
5	TERMINAL	1	C2680R-H	t=0.70	MBCu2μm-Sn3μm min.
4	TERMINAL	1	C2680R-H	t=0.70	MBCu2μm-Sn3μm min.
3	TERMINAL	1	C2680R-H	t=0.70	MBCu2μm-Sn3μm min.
△ 2	COVER	1	PPO		Black
△ 1	HOUSING	1	PPO		Black
LTR	PART NAME	Q'TY	MATERIAL		REMARK

RoHS Compliant

TOLERANCES ARE

MORETHANALL
 PCB CONNECTORS
 Cable ASSEMBLIES

煜倫股份有限公司

www.morethanall.com

DRAWING BY CY

CHECKED BY GENIUS

UNIT/mm SCALE 1:1

DATE

SIZE A4

X. ±
 .X ±
 .XX ±
 .XXX ±
 ANG ±

PJECTION

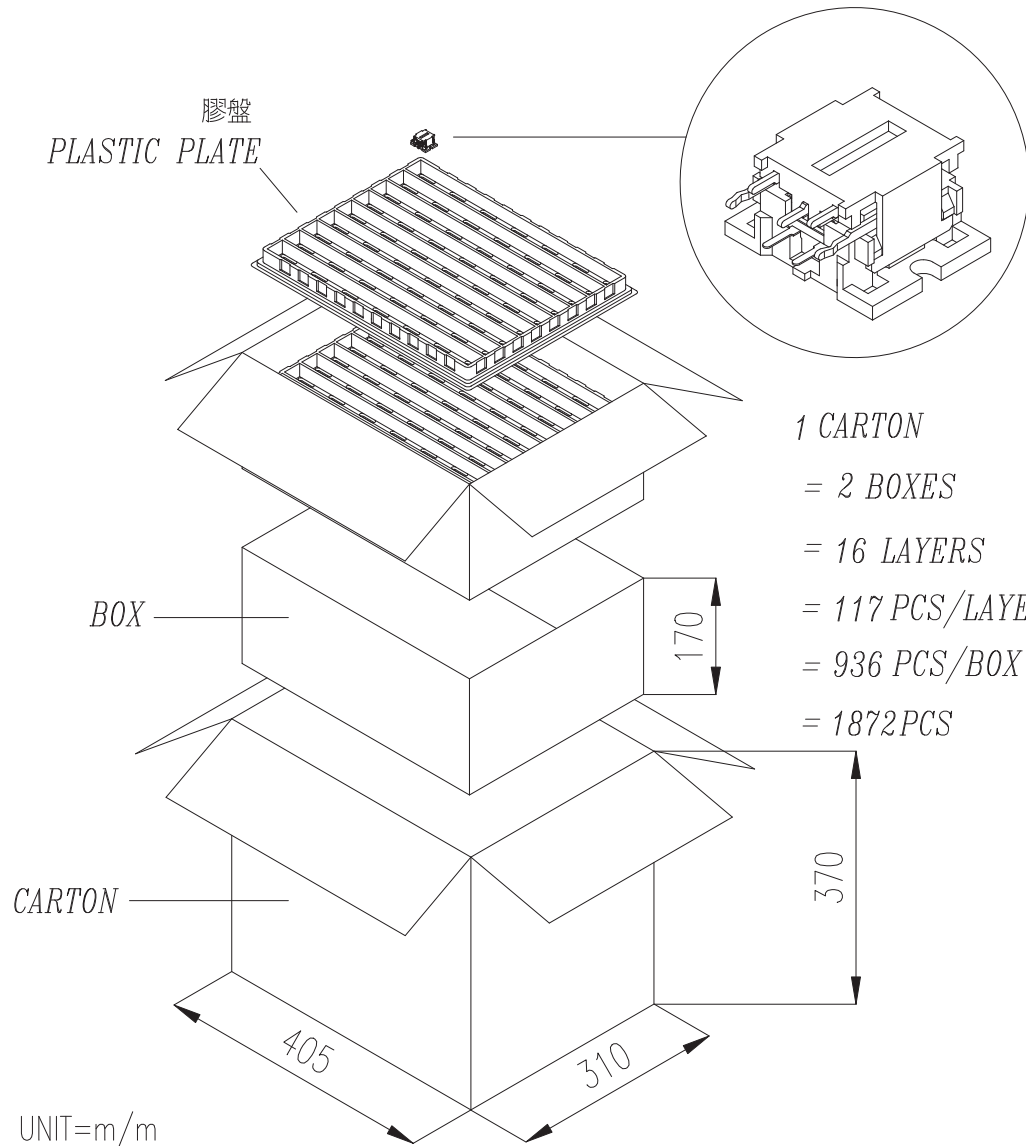
照片框

ORDER INFORMATION

DJ-S5PQ-0503-LF

SERIES 5P3C LEADFREE
 ALL PLASTIC PANEL TYPE
 5.0mm

DESCRIPTION: DIN CONNECTOR



RoHS Compliant

TOLERANCES ARE

MORETHANALL
PCB CONNECTORS
Cable ASSEMBLIES

DRAWING BY CY

CHECKED BY GENIUS

UNIT/mm SCALE 1:1

DATE

SIZE A4

X. ±
.X ±
.XX ±
.XXX ±
ANG ±

PJECTION

照片框

ORDER INFORMATION

DJ-S5PQ-0503-LF
SERIES | 5P3C | LEADFREE
ALL PLASTIC | PANEL TYPE
5.0mm

煜倫股份有限公司

www.morethanall.com

DESCRIPTION: