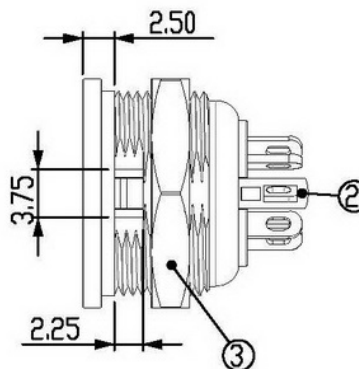


Through Hole Dimension & PCB Layout



No.	Description	Material	Treat	Q'ty
1	Shield Cover	Zn Alloy	Nickel Ptd.	1
2	Negative Contact	Copper	Nickel Ptd.	1
3	Screw Nut	Brass	Nickel Ptd.	1
4	8P 270 HOUSING	PA66+30%GF		1
5	Terminals	Brass	Silver Ptd.	5

Specifications rating :

100V AC 4A MAX
 contact resistance : pins-30mΩ MAX; shell-50mΩ MAX
 insulation resistance : MIN 100 MEGΩ @500V DC
 voltage withstand : 250V AC R.M.S. for 1 minute
 Operating Temperature : -55°C~85°C

RoHS Compliant

TOLERANCES ARE



煜倫股份有限公司

www.morethanall.com

DRAWING BY CY

CHECKED BY GENIUS

UNIT / mm SCALE 1 : 1

DATE

SIZE A4

X.±
 .X±
 .XX±
 .XXX±
 ANG±

PPOJECTION

照片框

ORDER INFORMATION

DJ-PAN-05-LF
 SERIES | NUT | LEADFREE
 05 WAY
 PANEL FRONT

DESCRIPTION: 5P DIN SOCKET PANEL SCREW MOUNT