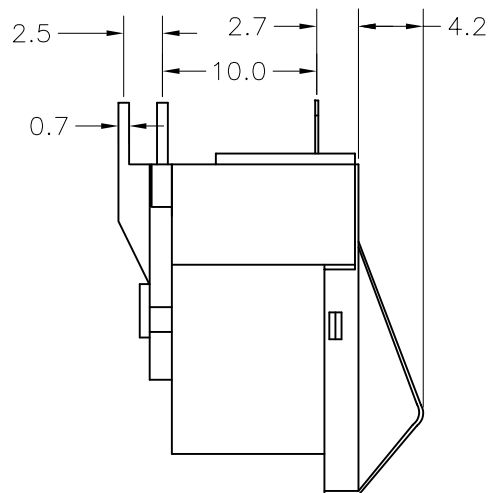


RECOMMEND P.C.BOARD LAYOUT



NOTES:

1.MATERIALS

- 1.1 Insulator:PBT+30% Glass Fiber UL94V-0
- 1.2 Contact: Brass, Tin Plated Or Gold Plated
- 1.3 Spring Tole: SUS304#
- 1.4 Shell: Brass,Nickel Plated Or Gold Plated

2.SPECIFICATIONS

- 2.1 Current Rating: 1Amp
- 2.2 Dielectric Strength: AC 1000V/min.R.M.S.
- 2.3 Insulator Resistance: 5000MΩ Min. at 500V DC
- 2.4 Contact Resistance: 30mΩ Max
- 2.5 Operation Temperature: -55°C to +105°C

3.重點尺寸標示 [XX]

RoHS Compliant

TOLERANCES ARE

**MORETHANALL**  
PCB CONNECTORS  
Cable ASSEMBLIES

煜倫股份有限公司

www.morethanall.com

DRAWING BY CY

CHECKED BY GENIUS

UNIT / mm

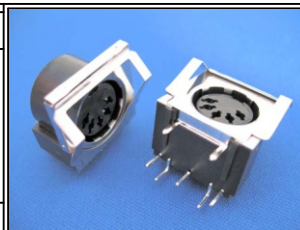
SCALE 1 : 1

DATE

SIZE A4

X, ±  
.X ± 0.30  
.XX ± 0.20  
.XXX ±  
ANG ±

PJECTION



ORDER INFORMATION

DJ-MS-05-LF  
SERIES | LEADFREE  
| 05 WAY  
| SPRING  
| METAL

DESCRIPTION: 5P黑鍍線方孔 魚叉式貼壁彈片(端子錫,底座線)RoHS