

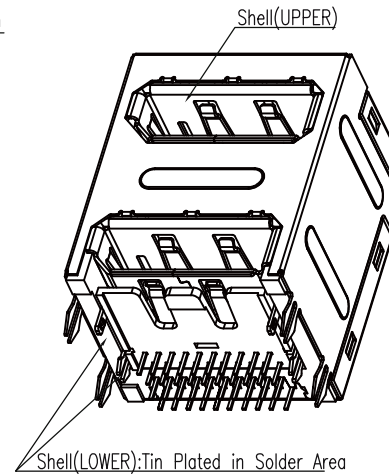
RECOMMENDED P.C.B. LAYOUT (COMPONENT SIDE VIEW)  
TOL IS ±0.05 THICKNESS=1.6 ALL POSITION TOL  $\pm 0.06 \begin{matrix} X \\ Y \end{matrix}$

## SPECIFICATIONS

- Displayport
  - Voltage: 40 VAC(RMS) Max.
  - Current Rating: 0.5 Ampere per Pontact
  - Contact Resistance: 30 Milliohms Max.
  - Insulation Resistance: 100 Megohms Min.
  - Dielectric Withstanding Voltage: 500V DC(RMS)
  - Total Mating Force: 4.5 Kgf Max.
  - Total Unmating Force: 1.0 Kgf Min.
  - Operating Temperature: -25°C to +85°C

## NOTES

- MATERIAL:
  - Housing:LCP, UL 94V-0, Color:Black.
  - Terminal:Copper Alloy.
  - Shell(UPPER):Stainless Steel.
  - Shell(LOWER):Stainless Steel.
  - Shield:Stainless Steel.
- FINISH:
  - Terminal:Selected Gold Plated in Contact Area, 100u" MIN. Tin Plated in Solder Area, 30u" MIN. Nickel Underplated Overall.
  - Shell(LOWER):100u" MIN. Tin Plated in Solder Area, 30u" MIN. Nickel Underplated Overall.
  - Shield:Hot Dip Tin.
- This Product is LEAD-FREE & RoHS Compliance Product.



RoHS Compliant

TOLERANCES ARE

**MORETHANALL**  
PCB CONNECTORS  
Cable ASSEMBLIES

DRAWING BY CY

X, ±  
.X ±  
.XX ± 0.25  
.XXX ± 0.13  
ANG ± 2°

CHECKED BY GENIUS

UNIT / mm SCALE 1 : 1

DATE

SIZE A4

PJECTION

照片框

ORDER INFORMATION

DISPB1-FRM4-20-LF

SERIES | | | LEADFREE  
20 WAY  
METAL FOOT x4  
DIP 90°  
FEMALE

煜倫股份有限公司

www.morethanall.com

DESCRIPTION: DOUBLE DISPLAYPORT CONNECTOR